



February 13, 2026

TO: All Potential Bidders  
SUBJECT: #6 Copper Primary Re-  
Conduct/Replacement Phase 4B  
Bid Ref. #26-031  
Bid Opening Date & Time: **February 23, 2026 @ 2:30 p.m.**

### **ADDENDUM NO. 2**

The items contained in this addendum are added to and/or deleted and become part of the specifications and bid documents for the above referenced Invitation to Bid.

#### ***Questions and Answers:***

1. Are there specific work hours the contractor is required to adhere to? ***Answer: Contractors can work any schedule from 07:30 AM until dark; any Customer outage work needs to be approved through Jason Clenney.***
2. Will the contractor be responsible for providing a staging area, or may the utility's yard be utilized? ***Answer: A staging area will be provided.***
3. Should the contractor include a dumpster in the bid for all retired materials and/or poles, or are all materials to be returned to the utility? ***Answer: All material is to be returned to Utility Operations.***
4. Is there an anticipated project start date and estimated completion date? ***Answer: The project needs to start as soon as possible and be completed by mid-June.***

All other terms and conditions remain unchanged. Acknowledge receipt of this addendum with your submittal. If you have any questions, feel free to contact me at (229) 431-3211.

City of Albany,

*Joshua Williams*

Joshua Williams, Procurement Manager

Cc: Jason Clenney, Utility Operations  
Kurt Anthony, Utility Operations

**FINANCE**



February 10, 2026

TO: All Potential Bidders  
SUBJECT: #6 Copper Primary Re-  
Conduct/Replacement Phase 4B  
Bid Ref. #26-031  
Bid Opening Date & Time: **February 23, 2026 @ 2:30 p.m.**

### **ADDENDUM NO. 1**

The items contained in this addendum are added to and/or deleted and become part of the specifications and bid documents for the above referenced Invitation to Bid.

#### ***Questions and Answers:***

1. There are some poles that has the yellow tag indicating danger pole and are not on the change out list on print. Will we be required to change these poles out before beginning the reconduct work? ***Answer: Yes, change these poles out and just add those items to that line-item count.***
2. There were also some that did not have the yellow tag on them, but the tops were in bad shape. Will those need to be changed out? ***Answer: Yes, change these poles out and just add those items to that line-item count.***
3. Theres some places where there's a gap in the pole line that does not have poles or wire in place. Will we be required to add that location and pull wire all the way though? ***Answer: No, if poles and primary wire sections are missing, it will need to stay as is. That is by design in the field.***
4. On 2<sup>nd</sup> Ave between N. Cleveland Ave. & N Harding St. print shows 6 poles but there's 9 poles there. Should we add those three in the pricing? ***Answer: Yes, please add those to bid.***
5. There are several poles that has multiple Urd service risers in conduit but not indicated on print. Is this something that should be considered adding to the print? for crew will have to dig up and reattach to pole? ***Answer: Include in your bid item for pole replacement or add***

**FINANCE**

***as an alternate bid item. Replaced poles will have to be put into service with all primary and secondary configurations as in place with the old pole.***

6. West Residence Ave. reconduct will cross N. Slappy Blvd. and will need permits. Who will be responsible for that permit? ***Answer: City will obtain the DOT permit. Please give us 3 weeks' advance notice before construction is started in that area.***
7. There will be a good bit of right-a- way work needed. Is this something that could be done before starting the work so not to slow down line crew? ***Answer: Minor tree trimming around poles will be performed by the Contractor as part of the bid and work required. Not sure what other R/W work will be required.***

All other terms and conditions remain unchanged. Acknowledge receipt of this addendum with your submittal. If you have any questions, feel free to contact me at (229) 431-3211.

City of Albany,

*Joshua Williams*

Joshua Williams, Procurement Manager

Cc: Jason Clenney, Utility Operations  
Kurt Anthony, Utility Operations



**January 21, 2026**

**INVITATION TO BID  
#6 Copper Primary Re-Conduct/Replacement Phase 4B  
Bid Reference No. 26-031**

Sealed Bids will be received by the City of Albany, Procurement Division, **222 Pine Avenue, Suite 260, Albany, Georgia 31701**, until **2:30 p.m. on February 23, 2026**, from a contractor with Certified and Qualified Lineman to re-conduct overhead primary wire from #6 copper to #1/0 aluminum and replace thirteen (13) rotten wood poles as requested by the City of Albany Utility Operations.

A Pre-Bid Conference and Site Visit will be held on **February 2, 2026, at 10:00 a.m.** at **222 Pine Avenue, Suite 260, Albany, Georgia 31701**. The Project Manager will provide an overview of the work to be performed and answer questions. All interested bidders are strongly encouraged to attend.

This project will be bid on a lump sum basis for all specified work and will be awarded to the responsive and responsible bidder submitting the lowest total base bid. A **5% Bid Bond is required of all bidders**. Bid bond must be present for bid to be read or considered. 100% Performance and Payment bonds will be required of the successful bidder.

The City of Albany strongly encourages Small Business firms to participate in this bid. The City of Albany reserves the right to reject any and all bids and to waive any informality in the bidding process. All Corporations should provide corporate seal, a copy of the Secretary of State's Certificate of Incorporation, and a listing of the principals of the corporation with the bid.

Bid documents are available at the Procurement Division, [www.albanyga.gov](http://www.albanyga.gov) and on the Georgia Procurement Registry.

For additional information, contact Joshua Williams, Procurement Manager, at (229) 431-3211. Submit all questions via email to [jswilliams@albanyga.gov](mailto:jswilliams@albanyga.gov) cc: [kross@albanyga.gov](mailto:kross@albanyga.gov). The deadline for questions is **February 13, 2026, at 2:30 p.m.** Replies of substance will be answered in the form of an addendum and made available to all potential bidders.

City of Albany,

A handwritten signature in black ink that reads "Joshua Williams".

Joshua Williams, CPPB  
Procurement Manager

**FINANCE**

**CITY OF ALBANY  
PROCUREMENT DIVISION  
FINANCE DEPARTMENT  
ALBANY, GEORGIA  
INSTRUCTIONS TO BIDDERS**

These instructions will bind bidders to terms and conditions herein set forth, except as specifically qualified in special bid and contract terms issued with any individual bid.

1. The following criteria are used in determining low responsible bidder.
  - (a) The ability, capacity and skill of bidder to perform required service.
  - (b) Whether bidder can perform service promptly or within specified time.
  - (c) The character, integrity, reputation, judgment, experience and efficiency of bidder.
  - (d) The performance of previous contracts.
  - (e) The suitability of equipment or material for City use.
  - (f) The ability of bidder to provide future maintenance and parts service.
2. Payment terms are Net 30 unless otherwise specified. Favorable term discounts may be offered and will be considered in determining low bids if they are deemed advantageous to The City.
3. Unless otherwise specified all materials, supplies or equipment quoted herein must be delivered within thirty (30) days from date of notification of award or by exception noted on bid sheet.
4. Prospective bidders are responsible for examining the location of the proposed work or delivery and determining, in their own way, the difficulties, which are likely to be encountered in the execution of same.
5. The ESTIMATED QUANTITY given in the specifications or advertisement is for the purpose of bidding only. The City may purchase more or less than the estimated quantity, and the bidder must not assume that such estimated quantity is part of the contract.
6. All bids should be tabulated, totaled and checked for accuracy. The unit price will prevail in case of errors.
7. All requested information should be included in the sealed bid envelope. All documents and information must be signed and included for your bid to receive full consideration. **Failure to submit any required information or document will be cause for bid to be rejected as non-responsive.**
8. Failure of the bidder to sign the bid document or have the signature of any authorized representative or agent on the bid **in the space provided will be cause for rejection of the bid.** Signature(s) must be written in ink.
9. Failure to enclose bid bond, where required, **will result in rejection of the bid.** Bond may be in the form of cash, certified check, cashier's check or Surety Bond issued by a Surety Company licensed to conduct business in Georgia.
10. **All bidders should provide their tax identification number with the bid.**
11. All bidding Corporations should provide the corporate seal, a copy of the Secretary of State's Certificate of Incorporation, and a listing of the principals of the corporation with the bid.
12. Quote all prices F.O.B. Albany or our warehouse or as specified in bid documents.
13. If the bidder proposes to furnish any item of a foreign make or product, he/she should write "Foreign" together with the name of the originating country opposite such item on the bid.
14. When requested, SAMPLES will be furnished free of expense, properly marked for identification and accompanied by list where there is more than one sample. The City reserves the right to mutilate or destroy any samples submitted whenever it may be in the best interests of The City to do so for the purpose of testing.
15. The City will reject any material, supplies or equipment that do not meet the specifications, even though bidder lists the trade name or names of such materials on the bid or price quotation form.
16. Any alterations, erasures, additions or omissions of required information or any changes of specifications, or bidding schedule are done at the risk of the bidder. Any bid will be rejected that has a substantial variation, such as a variation that affects the price, quality or delivery date (when delivery is required by a specific time).
17. Each bid or proposal will be submitted in a **SEALED ENVELOPE.** Additionally, that envelope shall be clearly marked on the outside as a **Sealed Bid** with the **Bid Number** clearly printed.
18. Bids **must** be received and stamped by the Procurement Office before the date and time stipulated in bid documents. The City of Albany assumes no responsibility for submittals received after the advertised deadline or at any office or location other than that specified herein, whether due to mail delays, courier mistake, mishandling, or any other reason. No responsibility will attach to any City representative or employee for premature opening of bids not properly addressed or identified.
19. If only one bid is received, the bid may be rejected and/or re-advertised, except in the case of only one known source of supply.
20. Bids received late will not be accepted, and The City will not be responsible for late mail delivery.
21. Should a bid be misplaced by The City and found later it will be considered.
22. The unauthorized use of patented articles is done entirely at the risk of the bidder.
23. All bidders must be recognized and authorized dealers in the materials or equipment specified and be qualified to instruct in their application or use. A bidder at any time requested must satisfy the Procurement Office and City Commission that he has the requisite organization, capital, plant, stock, ability and experience to satisfactorily execute the contract in accordance with the provisions of the contract in which he is interested.
24. Only the latest model equipment as evidenced by the manufacturer's current published literature will be considered. Obsolete models of equipment not in production will not be acceptable. Equipment shall be composed of new parts and materials. Any unit containing used parts or having seen any service other than the necessary tests will be rejected. In addition to the equipment specifically called for in the specifications, all equipment catalogued by the manufacturer as standard or required by the State of Georgia shall be furnished with the equipment. Where required by the State of Georgia Motor Vehicle Code, vehicles shall be inspected and bear the latest inspection sticker of the Georgia Department of Revenue.
25. All materials, equipment and supplies shall be subject to rigid inspection, under the immediate supervision of the Procurement Officer and/or the Department to which they are delivered. If defective material, equipment or supplies are discovered, the contractor, upon being instructed by the Procurement Officer, shall remove, or make good such material, equipment or supplies without extra compensation. It is expressly understood and agreed that the inspection of materials by The City will in no way lessen the responsibility of the contractor or

release him from his obligation to perform and deliver to The City sound and satisfactory materials, equipment or supplies. The contractor agrees to pay the cost of all tests on defective material, equipment or supplies or allow the cost to be deducted from any monies due him by The City.

26. For multi-year contracts the following clauses pursuant to OCGA 36-60-13 apply: (1) The contract shall terminate absolutely and without further obligation on the part of The City or County at the close of the calendar year in which it was executed and at the close of each succeeding calendar year for which it may be renewed; (2) The contract may provide for automatic renewal unless positive action is taken by The City or County to terminate such contract, and the nature of such action shall be determined by The City or County and specified in the contract; (3) The contract shall state the total obligation of The City or County for the calendar year of execution and shall further state the total obligation which will be incurred in each calendar year renewal term, if renewed; and (4) The contract shall provide that title to any supplies, materials, equipment, or other personal property shall remain in the vendor until fully paid for by The City.
27. Unless otherwise specified The City reserves the right to award each item separately or on a lump sum basis, whichever is in the best interest of The City.
28. The successful bidder shall secure all permits, license certificates, inspections (permanent and temporary) and occupational tax certificate, if applicable, before any work can commence. Contractor as well as any and all known subcontractors must possess or will be required to obtain a City of Albany Occupational Tax Certificate or Registration.
29. The successful bidder on motor vehicle equipment shall be required to furnish with delivery of vehicle, Certificate of Origin and Georgia vendors shall provide Georgia Motor Vehicle form MV1.
30. The City reserves the right to reject any and all bids, to waive any informalities in the bid process, and to award the contract as may be in the best interest of the City and/or re-advertise for bids.
31. Local bidder (domiciled in Albany City Limits) will receive bid in the event of tie bids. In the case of tie bids between out of town companies or between local concerns, evaluated as equal, bid will be recommended or awarded by chance coin toss, or drawing straws. **The Board of Commissioners passed a local preference ordinance on January 27, 2015. Where applicable, this ordinance will govern. Local preference will not be a basis for award on bids that are federally funded.**
32. No bidder writing restrictive specifications for The City will be allowed to bid on the project.
33. Reasonable grounds for supposing that any bidder is interested in more than one bid for the same item will be considered sufficient cause for rejection of all bids in which he/she is interested.
34. A contract **will not** be awarded to any corporation, firm or individual who is, from any cause, in arrears to The City/County or who has failed in any former contract with The City to perform work satisfactorily, either as to the character of the work, the fulfillment of the guarantee, or the time consumed in completing the work.
35. It is mutually understood and agreed that if any time the Procurement Officer shall be of the opinion that the contract or any part thereof is unnecessarily delayed or that the rate of progress or delivery is unsatisfactory, or that the contractor is willfully violating any of the conditions or covenants of the agreement, or is executing the same in bad faith, the Procurement Officer shall have the power to notify the aforesaid contractor of the nature of the complaint. Notification shall constitute delivery of notice, or letter, to address given in bid/proposal. If after three working days of notification the conditions are not corrected to the satisfaction of the Procurement Officer, he shall thereupon have the power to take whatever action he may deem necessary to complete the work or delivery herein described, or any part thereof, and the expense thereof, so charged, shall be deducted from any paid by The City out of such monies as may become due to the said contractor, under and by virtue of this agreement. In case such expense shall exceed the last said sum, then and in that event, the bondsman or the contractor, his executors, administrators, successors, or assigns, shall pay the amount of such excess to The City on notice by the Procurement Officer of the excess due.
36. Contracts may be cancelled by The City with or without cause with 30-day written notice.
37. Any complaint from bidders relative to the Invitation to Bid or any attached specifications should be made prior to the time of opening of bids, otherwise such complaint cannot be properly considered.
38. Any bidder may withdraw his bid at any time before the time set for opening of bids. No bid may be withdrawn without cause in the 60-day period after bids are opened.
39. All questions, inquiries and requests for clarification shall be directed to Procurement.
40. **Prior to submission, all bidders are encouraged to check the website at [www.albanyga.gov](http://www.albanyga.gov) or call the Procurement Office at 229-431-3211 for any addendums.**

PROCUREMENT FORM - Revised 11/18/2021

**SPECIAL INSTRUCTIONS**  
**#6 Copper Primary Re-Conduct/Replacement Phase 4B**  
**BID REF. #26-031**

**General Information:** The City of Albany is seeking from a contractor with Certified and Qualified Lineman to re-conduct overhead primary wire from #6 copper to #1/0 aluminum and replace thirteen (13) rotten wood poles where noted on the project plans as requested by the City of Albany Utility Operations for the replacement of #6 Copper Conductor in various locations across town. Attached at the end of formal bid document are diagrams of potential work areas.

1. Unit prices listed on this Bid Schedule shall be valid through the course of the project.
2. City of Albany Utility Operations will provide all power infrastructure hardware and materials as per the plans and specifications.
3. No bid may be withdrawn for a period of **sixty (60)** days from the bid opening date.
4. The Owner reserves the right to reject any and all bids and to waive any informalities in the bidding process.
5. The Owner of this project is the City of Albany.
6. **Contract Term:** The term of this contract is **Ninety (90) Calendar Days** after a start date has been identified after the pre-construction meeting. The City of Albany is seeking firms who are qualified to perform the work detailed in the bid for the specified project.
7. **Liquidated Damages:** Time is an essential element of the Contract, and any delay in the prosecution of The Work may inconvenience the public, obstruct traffic, or interfere with business. In addition to the aforementioned inconveniences, any delay in completion of The Work will always increase the cost of engineering. For this reason, it is important that the work be pressed vigorously to completion. Should the Contractor fail to complete the work within the time stipulated in the Contract or within such extra time that may be allowed, charges shall be assessed against any money due or that may become due the Contractor in accordance with the rate of **One Hundred Dollars (\$100)** per calendar day.
8. **Bid Bond:** Each bid shall be accompanied by a bid bond (surety) acceptable to the Owner, in an amount equal to at least five **(5%)** percent of the bid, payable without condition to the Owner as a guaranty that the bidder, if awarded the contract, will promptly execute the Agreement in accordance with the bid and other contract documents, and will furnish good and sufficient bond for the faithful performance of the same, and for the payment to all persons supplying labor and material for the work. The bid bond must be presented in its original form. Copies are not acceptable.
9. **Performance Bond and Payment Bonds:** A 100% Performance Bond and 100% Labor and Materials Payment Bond will be required of awarded bidder. All bonds must be submitted to the Procurement Office before work can commence. The bonds must be presented in their original form. Copies are not acceptable.
10. **Bid Form:** Bid **must** be submitted on the bid form provided by the City of Albany. Bid is for a lump sum contract and will be awarded to the responsive and responsible bidder submitting the lowest total base bid.

11. **General Insurance Requirements:** Contractor shall maintain applicable insurance for this project with companies licensed to do business in the State of Georgia acceptable to the City for the protection of the City and name it as an additional insured, against all claims, losses, costs or expenses arising out of injuries or death of persons whether or not employed by contractor, whether arising from the acts or omission, negligence or otherwise of contractor or any of its agents, employees, patrons, or other persons, and growing out of work being done by Contractor on behalf of City, such policies to provide for a liability limit on account of each accident resulting in the bodily injury or death of not less than **One Million (\$1,000,000)** Dollars, a liability limit of not less than **One Million (\$1,000,000)** Dollars for each accident for property damage. Contractor shall also carry product/completed operations liability insurance for personal injuries and/or death in the amount not less than **One Million (\$1,000,000)** Dollars for any one person. Contractor shall maintain a combined single liability limit of **One Million (\$1,000,000)** Dollars covering owned, non-owned, leased, and hired vehicles. Contractor shall furnish to the City satisfactory evidence that it carries Worker's Compensation Insurance in the statutory limits of Georgia and Employers' Liability with limits of liability of no less than **One Hundred Thousand (\$100,000)** Dollars of each accident/disease. These policies must also contain a waiver of subrogation in favor of the City of Albany. Contractor shall furnish evidence to the City of the continuance in force of said policy's declaration page (s) to the Procurement Agent. Acceptable proofs of insurance: (i) a Certificate of Insurance with Additional Insured Endorsement (a Certificate of Insurance by itself is not acceptable) or (ii) Declaration Pages of the insurance policies listed below which show the City of Albany as additional insured. All insurance policies must provide that the City of Albany will be notified within 30 days of any changes, restrictions, and/or cancellation. The City's sole judgment shall control as to the sufficiency of the coverage.
12. **Indemnity Agreement:** An executed copy of this form should accompany your bid and must be completed for contract award. (See attached).
13. **Governing Law & Venue:** An executed copy of this form should accompany your bid. (See attached).
14. **Certificate of Non-Collusion:** An executed copy of this form should accompany your bid. (See attached).
15. **Drug Free Workplace:** An executed copy of this form should accompany your bid. (See attached).
16. **Debarred Bidders Integrity Form:** An executed copy of this form should accompany your bid. (See attached).
17. **Permits & Fees:** Within **five (5) days** following the issuance of the Notice to Proceed, the contractor shall apply for all permits. Failure to do so may result in award of this contract to the next lowest bidder and the original contractor may be billed for the difference in price. The contractor shall secure all permits, license certificates, inspections (permanent and temporary) and occupational tax certificate(s) before any work can commence. This documentation should be on file in the Procurement Office prior to the start of any work associated with this contract. The contractor is required to contact **the Project Manager, Jason Clenney, at 229-854-0433 within five (5) days of completion for a final inspection.** Contractor as well as any and all known subcontractors must possess or will be required to obtain a City of Albany Occupational Tax Certificate or Registration **prior** to commencement of work.

18. **Compliance:** The contractor is responsible for knowledge of and compliance with all laws, codes, ordinances, and regulations that are applicable to this type of work.
19. **Superintendent:** The contractor shall have a superintendent or representative on the site at all times while work is being performed. He will represent the contractor and all communications given to him shall be binding as if given to the contractor.
20. **Preservation of Property:** The contractor shall carry out his work with such care and by the proper methods to prevent damage to the property adjacent to the work or within streets, easement locations to the extent the owner may have rights therein, or other property of the owners or of others, whether adjacent to the work site or not, the removal, relocation, or destruction of which is not called for by the provisions of the contract documents; it being a condition of the execution of the contract that the work be performed in such manner that the property of others and other property of the owner shall not be damaged in any way. The word PROPERTY, as used, is intended to include among other types of property, public street improvements, storm and sanitary sewers, water lines and appurtenances, or other structures. Should any property be damaged or destroyed, the contractor at his own expense shall promptly, or within reasonable time, repair or make such restoration as is practical and acceptable to the owner of the damaged or destroyed property. In case of failure on the part of the contractor to repair or restore such property, or make good such damage or injury, the Building Inspector may within forty-eight (48) hours' notice, proceed to repair, rebuild, or otherwise restore such property as may be necessary, and the cost thereof will be deducted from any monies due or which may become due the contractor under this contract agreement. The contractor shall, at all times in performance of the work, employ approved methods and exercise reasonable care and skill so as to avoid delay, damage, injury or destruction of existing public service installations and structures; and shall at all times in the performance of the work avoid interference with, or interruption of, public utilities services, and shall cooperate fully with the owners thereof to the end.
21. **Public Convenience and Safety:** Fire hydrants on or adjacent to the street shall be kept accessible to the fire apparatus at all times and no material or obstructions shall be placed within ten (10) feet of any hydrant. Adjacent premises must be given access at all times and gutters shall not be obstructed. Materials shall not be stored along the streets. Traffic on streets shall be maintained at all times. Dust and debris shall not create a hazard or a nuisance.
22. **Barricades and Warnings:** The contractor shall provide erect and maintain all necessary barricades, suitable and sufficient number of watchmen to direct traffic, and take all necessary precautions for the protection of the work and safety of the public. Barricades and obstructions shall be illuminated at night and lights shall be kept burning from sunset to sunrise.
23. **Removal of Trash and Rubbish:** The contractor shall be responsible for the removal and legal disposal of all waste, trash, and rubbish resulting from the work under this contract. Work site shall be kept clean and orderly during construction; trash shall be removed from the site or adequately containerized daily.
24. **Termination for Convenience:** This contract may be terminated in whole or in part by the City of Albany with the consent of the contractor in which case the two parties shall agree upon the termination conditions, including the effective date in the case of partial termination, the portion to be terminated or by the contractor upon written notification to the City of Albany setting forth the reasons for such termination, the effective date, and in the case of partial termination, the

portion to be terminated. However, if in the case of partial termination, the City of Albany determines that the remaining portion of the award will not accomplish the purposes for which the contract was awarded, the City of Albany may terminate the contract in its entirety.

25. **Certification of Bidder's Experience and Qualifications:** The undersigned bidder certifies that he is, at the time of bidding, and shall be, throughout the period of the contract, licensed by the State of Georgia to do the type of work required under terms of the contract documents. Bidder further certifies that he is skilled and regularly engaged in the general class and type of work called for in the contract documents. The bidder represents that he is competent, knowledgeable and has special skills on the nature, extent, and inherent conditions of the work to be performed. Bidder further acknowledges that there are certain peculiar and inherent conditions existent in the construction of the particular facilities, which may create, during the construction program, unusual or peculiar unsafe conditions hazardous to persons and property. Bidder expressly acknowledges that he has the skill and experience to foresee and to adopt protective measures to adequately and safely perform the construction work with respect to such hazards.
26. **Corporations:** All Corporations should provide corporate seal, a copy of the Secretary of State's Certificate of Incorporation, and a listing of the principals of the corporation with the bid.
27. **Pre-Construction Conference:** Successful bidder will be required to attend a Pre-Construction Conference with the owner's representative to discuss any details of the project, submit a proposed work program schedule prior to the issuance of a Notice to Proceed. When work begins, contractor shall remain on this project, with normal work force, until the project is completed.
28. **Georgia Security and Immigration Compliance Act:** The successful contractor will provide certification that he is in compliance with the Georgia Security and Immigration Compliance Act, certifying that the provisions of GA Law, O.C.G.A 13-10-91, Chapter 300-10-1, per the Georgia Department of Labor, if applicable, have been complied with in full. Pursuant to O.C.G.A 13-10-90(2), all subcontractors entering into a contract or agreement for hire on this Project must be registered and participate in the Federal Work Authorization Program. **Complete and submit a copy of the form, applicable to your company, and applicable Subcontractor Affidavits, with your bid.**
29. **Contractor's Warranty:** Contractor shall guarantee all specified work performed for a period of one (1) year from the date of written acceptance of the work by the Owner's designated representative that all materials, labor, and workmanship provided under this contract are free from defects of any kind. At no expense to the City of Albany, the contractor shall make repairs to any defects found and reported during the warranty period. Final inspection, final acceptance, and final payment shall not be construed as a waiver of this warranty. The following are excluded from this warranty:
  - a. Defects or failures resulting from abuse by the owner.
  - b. Damage caused by fire, tornadoes, hail, hurricane, Acts of God, wars, riots, civil commotion, or vandalism.
30. **Bid Submittals (All items listed below must be submitted with bid):**
  - a. Bid Form
  - b. Bid Bond
  - c. Addendum Acknowledgement Form

32. **The following items should be submitted with bid:**

- a. Indemnity Agreement
- b. Governing Law and Venue Form
- c. Certificate of Non-Collusion Form
- d. Drug Free Workplace
- e. Debarred Bidders Integrity Form
- f. Corporate Seal
- g. Secretary of State's Certificate of Incorporation
- h. Listing of the principals of Corporation
- i. Affidavit to Comply with OCGA § 13-10-91
- j. Advertisement Form

33. Pre-Bid Conference: A pre-bid conference and site visit will be held on **February 2, 2026, at 10:00 a.m. at 222 Pine Avenue, Suite 260, Albany, Georgia 31701**. The Project Manager will provide an overview of the work to be performed and answer questions. All interested bidders are strongly encouraged to attend.

34. For additional information, contact Joshua Williams, Procurement Manager, at (229) 431-3211. Submit all questions via email to [jswilliams@albanyga.gov](mailto:jswilliams@albanyga.gov) cc: [kross@albanyga.gov](mailto:kross@albanyga.gov). The deadline for questions is **February 13, 2026, at 2:30 pm**. Replies of substance will be answered in the form of an addendum and made available to all potential bidders.

## **PROJECT SCOPE OF WORK TO BE PERFORMED BY THE CONTRACTOR**

1. Contractor shall furnish all labor and equipment to install all power infrastructure as per the project plans and specifications. This project will primarily be to re-conduct overhead primary wire from #6 copper to #1/0 aluminum and replace rotten wood poles where noted on the project plans.

**The City of Albany (COA) will provide all power infrastructure, hardware and materials as noted and shown in specifications.**

2. Unit prices listed on this Bid Schedule shall be valid through the course of the project.

3. Contractor is responsible for locating existing underground utilities and verifying the depth of each utility. Contractor will contact 811 and initiate a locate ticket to locate underground utilities prior to any new pole installation. **COA is not responsible for any damage to utilities caused by the Contractor.**

4. Once the new pole and/or power equipment is installed, the Contractor is responsible for making all primary and secondary wire connections where required to make sure power service is restored as was before the new pole and/or equipment installation.

5. Contractor is to replace wood cross arms with metal or fiberglass cross arms as provided by COA. Maintain the existing pole hardware configuration as shown in the specifications unless otherwise specified by COA.

**\*COMPLETE AND SUBMIT\***

**BID FORM**  
**#6 COPPER PRIMARY RE-CONDUCT / REPLACEMENT Phase 4B**  
**CITY OF ALBANY, GA**  
**Bid Ref. No. 26-031**

**Bid of:** \_\_\_\_\_  
(Company Name)

**Date:** \_\_\_\_\_

To: Procurement Division  
222 Pine Avenue, Suite 260  
Albany, GA 31701

We, the undersigned, do hereby declare that we have carefully examined the site of the proposed installations. We do hereby agree to furnish all material, transportation, equipment, apparatus systems, labor, and supervision required to do all work as listed within the scope above for the **Unit Price** and **Total Bid Price per Line Item** indicated below:

ITEM NO.	DESCRIPTION	ESTIMATED QUANTITY	UNITS	UNIT PRICE (\$)	BID PRICE (\$)
1.0	Labor only to re-conduct and replace 3 phase, #6 copper primary wire with #1/0 aluminum primary wire. Replace all wood support arms with steel or fiberglass arms as provided by the City.	3,900	Linear Feet (LF)		
2.0	Labor only to re-conduct and replace 2 phase, #6 copper primary wire with #1/0 aluminum primary wire. Replace all wood support arms with steel or fiberglass arms as provided by the City.	10,200	Linear Feet (LF)		
3.0	Labor only to re-conduct and replace 1 phase, #6 copper primary wire with #1/0 aluminum primary wire. Replace all wood support arms with steel or fiberglass arms as provided by the City.	4,500	Linear Feet (LF)		
4.0	Labor only to replace existing 40 ft. wood pole with new 40 ft. or 45 ft. wood pole and install new primary hardware and equipment to match existing pole hardware configuration.	13	Each		
5.0	Labor only to re-conduct and replace open wire, secondary buss line with either #4/0 triplex aluminum or quadruplex aluminum secondary buss line. Connect all existing secondary services to new buss line.	1,500	Linear Feet (LF)		
	<b>TOTAL BID AMOUNT</b>				\$

Bid shall be made on a Unit Price/Total Bid basis for all specified work. Work shall begin at a mutually agreed upon date which will be set forth in the Notice to Proceed and shall be completed in accordance with contract time stated herein.

This bid complies with the Instruction to Bidders contained herein, all Addenda, (hereinafter listed and acknowledged as received), which are hereby made a part hereof and which shall govern in all matters of the work hereby proposed.

**CERTIFICATION:** The undersigned being duly sworn, hereby declares and affirms that they are an authorized representative of the above-named firm and further declares and affirms that the bid provided herein and the statements provided herein are true and correct and are sufficiently complete so as not to be misleading.

_____	_____
Authorized Signature	Company Name
_____	_____
Address	City State Zip
_____	_____
Tax ID#	Telephone# Fax#
_____	_____
Seal (If Incorporated)	Email

***End of Bid Form***

**\* COMPLETE AND SUBMIT \***

**BID REFERENCE  
NO. 26-031  
ADDENDUM ACKNOWLEDGEMENT FORM**

Instructions: Please acknowledge receipt of addenda received by completing this addendum acknowledgement form. Check the box next to each addendum received and sign below. This addendum acknowledgement form should be submitted with your bid to expedite document processing.

Acknowledgement: I, the undersigned, acknowledge receipt of the following addenda to the above referenced Invitation To Bid and have made any necessary revisions to my response or submittal. I understand that failure to confirm the receipt of addenda may be cause for rejection of this bid.

- |  |                          |                |                          |
|--|--------------------------|----------------|--------------------------|
| Addendum No. 1   | <input type="checkbox"/> | Addendum No. 3 | <input type="checkbox"/> |
| Addendum No. 2   | <input type="checkbox"/> | Addendum No. 4 | <input type="checkbox"/> |
| <input type="checkbox"/> No Addenda received for Bid Reference NO. 26-031. |                          |                |                          |

\_\_\_\_\_  
Print Name and Title of Authorized Signer

\_\_\_\_\_  
Authorized Signature

\_\_\_\_\_  
Date

**BID BOND**

KNOW ALL MEN BY THESE PRESENTS, that we the undersigned,

\_\_\_\_\_ as PRINCIPAL,  
and (Name of Principal)

\_\_\_\_\_  
(Legal title and address of the Surety)

as Surety (hereinafter referred to as "Surety"), are held and firmly bound unto the City of Albany, Georgia, hereinafter called the "Local Public Agency," in the penal sum of

\_\_\_\_\_ Dollars

(\$\_\_\_\_\_) lawful money of the United States, for the payment of which sum well and truly to be made, we bind ourselves, our heirs, executors, administrators, successors and assigns, jointly and severally, firmly by these presents.

\_\_\_\_\_, 20\_\_ for the construction of \_\_\_\_\_

NOW, THEREFORE, if the Principal shall not withdraw said Bid within the allowable period specified, and shall within the period specified therefor, or if no period be specified, within ten (10) days after the prescribed forms are presented to him for signature, enter into a written Contract with the Local Public Agency in accordance with the Bid as accepted, and give bond with good and sufficient surety or sureties, as may be required, for the faithful performance and proper fulfillment of such Contract; or in the event of the withdrawal of said Bid within the period specified, or the failure to enter into such Contract and give such bond within the time specified, if the Principal shall pay the Local Public Agency the difference between the amount specified in said Bid and the amount for which the Local Public Agency may procure the required work or supplies or both, if the latter be in excess of the former, then the above obligation shall be void and of no effect, otherwise it is to remain in full force and virtue.

Signed and sealed this \_\_\_\_\_ day of \_\_\_\_\_, 20\_\_

\_\_\_\_\_  
(Principal)

\_\_\_\_\_  
(Witness)

\_\_\_\_\_  
(Title)

Seal

\_\_\_\_\_  
(Surety)

\_\_\_\_\_  
(Witness)

\_\_\_\_\_  
(Title)

Seal

**PERFORMANCE BOND**

KNOW ALL MEN BY THESE PRESENTS:

That \_\_\_\_\_  
(Legal title and address of the Contractor)

as Principal (hereinafter referred to as "Contractor"), and \_\_\_\_\_

\_\_\_\_\_  
(Legal title and address of Surety)

as Surety (hereinafter referred to as "Surety"), are held firmly bound unto THE CITY OF ALBANY, GEORGIA, as Obligee (hereinafter referred to as "Owner"), in the amount of \_\_\_\_\_ Dollars (\$\_\_\_\_\_ ), to which payment Contractor and Surety bind themselves, their heirs, executors, administrators, successors and assigns, jointly and severally, firmly by these presents.

WHEREAS, the above bounded Principal has entered into a contract with Owner dated the \_\_\_\_ day of \_\_\_\_\_, 20\_\_\_\_, for the construction of

\_\_\_\_\_

NOW, THEREFORE, THE CONDITIONS OF THIS OBLIGATION are such that, if the Contractor shall promptly and faithfully perform and comply with the terms and conditions of said contract; and shall indemnify and save harmless the owner against and from all costs, expenses, damages, injury or loss to which said Owner may be subjected by reason of any wrongdoing, including patent infringement, misconduct, want of care or skill, default, failure of performance, on the part of said Principal, his agents, subcontractors or employees, in the execution or performance of said contract, then this obligation shall be null and void; otherwise it shall remain in full force and effect.

1. The said Surety to this bond, for value received, hereby stipulates and agrees that no change, extensions of time, alteration or addition to the terms of the contract or the work to be performed thereunder, or the specifications or drawings accompanying same shall in any wise affect its obligation on this bond, and it does hereby waive notice of any such change, extension of time, alteration or addition to the terms of the contract or to the work or to the specifications and drawings.
2. If pursuant to the contract documents the Contractor shall be declared in default by the Owner under the aforesaid Contract, the Surety may promptly remedy the default or shall promptly complete the contract in accordance with its terms and conditions. It shall be the duty of the Surety to give an unequivocal notice in writing to the Owner, within twenty-five (25) days after receipt of declaration of default, of the Surety's election either to remedy the default or defaults promptly or to perform the contract promptly, time being of the essence. In said notice of election, the Surety shall indicate the date on which the remedy or performance will commence, and it shall then be the duty of the Surety to give prompt notice in writing to the Owner immediately upon completion of (a) the remedy and/or correction of each default, (b) the remedy and/or correction of each item of rejected work, (c) the furnishing of each omitted item of work and (d) the performance of the contract. The Surety shall not assert solvency of

its Principal as justification for its failure to give notice of election or for its failure to promptly remedy the default or defaults or perform the contract.

3. Supplementary to and in addition to the foregoing, whenever the Owner shall notify the Surety that the owner has notice that the Contractor has failed to pay any subcontractor, materialman, or laborer for labor or materials certified by the Contractor as having been paid for by the Contractor in accordance with said Contract, which said labor or materials have been included in a periodical application for payment and approved by the Owner or Owners designated Agent for payment and paid for by the Owner, the Surety shall, within 20 days of receipt of such notice, cause to be paid any unpaid amounts for such labor and materials.
4. It is expressly agreed by the Principal and the Surety that the Owner if he desires to do so, is at liberty to make inquiries at any time of subcontractors, laborers, materialmen, or other parties concerning the status of payments for labor, materials, or services furnished in the prosecution of the work.
5. No right of action shall accrue on this bond to or for the use of any person or corporation other than the Owner named herein or the legal successors of the Owner.

Signed and sealed this \_\_\_\_\_ day of \_\_\_\_\_, 20\_\_\_\_.

\_\_\_\_\_(SEAL)  
Principal

In The Presence of:

\_\_\_\_\_  
Title

\_\_\_\_\_  
Witness

\_\_\_\_\_(SEAL)  
Surety

\_\_\_\_\_  
Title

\_\_\_\_\_  
Witness

**LABOR AND MATERIAL PAYMENT BOND**

THIS BOND IS EXECUTED TOGETHER WITH ANOTHER BOND IN FAVOR OF THE OWNER AS OBLIGEE CONDITIONED UPON PERFORMANCE OF THE CONTRACT. KNOW ALL MEN BY THESE PRESENTS:

That: \_\_\_\_\_  
(Legal title and address of the Contractor)

\_\_\_\_\_

as Principal (Hereinafter referred to as "Principal"), and \_\_\_\_\_

\_\_\_\_\_

(Legal title and address of the Surety)

as Surety (hereinafter referred to as "Surety"), are held and firmly bound unto the City of Albany, Georgia, as Obligee (hereinafter referred to as "Owner"), for the use and benefit of claimants defined, hereinafter, in the amount of \_\_\_\_\_ Dollars (\$\_\_\_\_\_), to which payment Principal and Surety bind themselves, their heirs, executors, administrators, successors and assigns, jointly and severally, firmly by these presents:

WHEREAS, the above bounded Principal has entered into contract with Owner dated \_\_\_\_\_, 20\_\_ for the construction of \_\_\_\_\_

NOW, THEREFORE, THE CONDITION OF THIS OBLIGATION is such that is the Principal shall promptly make payment to all subcontractors and other persons for all labor and materials supplied in the prosecution of the work provided for in said contract, then this obligation shall be void; otherwise, it shall remain in full force and effect.

It is agreed that this bond is executed pursuant to and in accordance with the provisions of Sections 23-1705 et. Seq. Of the Code of Georgia, as amended by the act approved February 27, 1956, and it intended to be and shall be construed to be a bond in compliance with the requirements thereof.

Signed and sealed this \_\_\_\_\_ day of \_\_\_\_\_, 20\_\_.

\_\_\_\_\_(Seal)  
Principal

In the Presence Of:

\_\_\_\_\_  
Title

\_\_\_\_\_  
Witness

\_\_\_\_\_(Seal)  
Surety

\_\_\_\_\_  
Title

\_\_\_\_\_  
Witness

***\*COMPLETE AND SUBMIT\****

## ***GOVERNING LAW AND VENUE***

Contractor agrees that as to any actions or proceedings arising out or related to this agreement, any such proceedings shall be governed and determined by Georgia Law.

Contractor further agrees that as to any actions or proceedings arising out of or related to this agreement, any such action or proceeding shall be resolved only in an appropriate court located in Dougherty County, Georgia.

DATE: \_\_\_\_\_

COMPANY NAME: \_\_\_\_\_

AUTHORIZED REPRESENTATIVE NAME: \_\_\_\_\_

TITLE: \_\_\_\_\_

SIGNATURE: \_\_\_\_\_

***\*COMPLETE AND SUBMIT\****

## ***CERTIFICATION OF NON-COLLUSION***

The bidder being sworn, disposes and says, \_\_\_\_\_

\_\_\_\_\_

The Contractor submitting this, and its agents, officers or employees have not directly or indirectly entered into any agreements, participated in any collusion or otherwise taken any action in restraint of free competitive bidding in connection with this bid.

DATE: \_\_\_\_\_

COMPANY NAME: \_\_\_\_\_

AUTHORIZED REPRESENTATIVE NAME: \_\_\_\_\_

TITLE: \_\_\_\_\_

SIGNATURE: \_\_\_\_\_

***\*COMPLETE AND SUBMIT\****

## ***Drug Free Workplace Certification***

DRUG FREE WORKPLACE REQUIREMENTS: The Contractor will provide the following certification that a Drug Free Workplace will be provided on the Project.

The undersigned certifies that the provisions of Code Sections 50-24-1 through 50-24-6 of the Official Code of Georgia Annotated, relating the "Drug Free Workplace Act", have been complied with in full. The undersigned further certifies that:

1. A drug free workplace will be provided for the Contractor's employees during the performance of the Contract; and
2. Each Contractor who hires a Subcontractor to work in a drug free workplace shall secure from that Subcontractor the following written certification:

DATE: \_\_\_\_\_

COMPANY NAME: \_\_\_\_\_

AUTHORIZED REPRESENTATIVE NAME: \_\_\_\_\_

TITLE: \_\_\_\_\_

SIGNATURE: \_\_\_\_\_

***\*COMPLETE AND SUBMIT\****

## ***DEBARRED BIDDERS/INTEGRITY CERTIFICATION***

Certification Regarding Debarment, Suspension, Ineligibility, and Voluntary Exclusion  
(49 CFR, Part 29):

The Contractor must certify that neither it nor its principals are presently debarred, suspended, proposed for disbarment, declared ineligible, or voluntarily excluded from participation in this transaction by any Federal department or agency. Further, the Contractor certifies that he or she shall obtain an identical certification from all its sub-contractors. The Contractor also agrees that when a subcontractor is unable to certify to any of the statements in this certification, the prospective participant shall submit an explanation to the Contractor.

DATE: \_\_\_\_\_

COMPANY NAME: \_\_\_\_\_

AUTHORIZED REPRESENTATIVE NAME: \_\_\_\_\_

TITLE: \_\_\_\_\_

SIGNATURE: \_\_\_\_\_

***\*COMPLETE AND SUBMIT\****

**INDEMNITY AGREEMENT**

This indemnity agreement made and entered into in favor of CITY OF ALBANY (“ALBANY”), a municipal corporation, by [\_\_\_\_\_].

WHEREAS, [\_\_\_\_\_] has submitted a bid to ALBANY so as to provide [describe the service, products(s)\_\_\_\_\_].

NOW, THEREFORE, as an additional consideration in ALBANY awarding the bid to [\_\_\_\_\_],

[\_\_\_\_\_] agrees to indemnify and hold harmless, ALBANY, its agents, principals, officers, and employees, their successors and assigns, individually and collectively, with respect to all third party claims, demands or liability for any injuries to any person (including death) or damage to any property arising out of any alleged negligence of its officers, agents, or employees in connection with the product or services involved in the bid; provided this indemnity shall not extend to any damage, injury or loss due to ALBANY’s sole negligence or willful injury.

[\_\_\_\_\_] shall reimburse ALBANY for reasonable attorney fees and expenses of ALBANY in defending all such claims and shall also be responsible for payment of all judgements.

WITNESS THE HAND AND SEAL of the undersigned pursuant to proper corporate authority this, \_\_\_\_ day of \_\_\_\_\_, 20\_\_.

[CORPORATE NAME]

By: \_\_\_\_\_

Title \_\_\_\_\_

Attest: \_\_\_\_\_

Title \_\_\_\_\_

[Affix Corporate Seal]

***\*COMPLETE AND SUBMIT\****

**GEORGIA SECURITY AND IMMIGRATION COMPLIANCE ACT AFFIDAVIT**

Contractor's Name:	
Address:	
Solicitation/Contract No.:	26-031 Phase
Solicitation /Contract Name:	Phase 4B #6 Copper Replacement Project

**CONTRACTOR AFFIDAVIT**

I understand that the City of Albany may not enter into a contract with \_\_\_\_\_ (Name of Corporation) unless it has registered and does participate in the Federal Work Authorization Program defined in O.C.G.A. § 13-10-90(2), to-wit" (2) "Federal work authorization program" means any of the electronic verification of work authorization programs operated by the United States Department of Homeland Security or any equivalent federal work authorization program operated by the United States Department of Homeland Security to verify information of newly hired employees, pursuant to the Immigration Reform and Control Act of 1986 (IRCA), D.L. 99-603.

By executing this affidavit, the undersigned Contractor verifies its compliance with O.C.G.A. § 13-10-91, stating affirmatively that the individual, entity or corporation which is engaged in the physical performance of services on behalf of the **City of Albany** has registered with, is authorized to use and uses the federal work authorization program commonly known as E-Verify, or any subsequent replacement program, in accordance with the applicable provisions and deadlines established in O.C.G.A. § 13-10-91.

Furthermore, the undersigned Contractor will continue to use the federal work authorization program throughout the contract period and the undersigned Contractor will contract for the physical performance of services in satisfaction of such contract only with sub-Contractors who present an affidavit to the Contractor with the information required by O.C.G.A. § 13-10-91(b). Contractor hereby attests that its federal work authorization user identification number and date of authorization are as follows:

\_\_\_\_\_  
Federal Work Authorization User Identification No.  
Authorization (EEV/E-Verify Company Identification Number)

\_\_\_\_\_  
Date of

\_\_\_\_\_  
Name of Contractor

**I hereby declare under penalty of perjury that the foregoing is true and correct.**

\_\_\_\_\_  
Printed Name (of Authorized Officer or Agent of Contractor)  
Contractor)

\_\_\_\_\_  
Title (of Authorized Officer or Agent

\_\_\_\_\_  
Signature (of Authorized Officer or Agent)

\_\_\_\_\_  
Date

Signed SUBSCRIBED AND SWORN BEFORE ME ON

[NOTARY SEAL]

\_\_\_\_\_  
Notary Public

My Commission Expires: \_\_\_\_\_

***\*COMPLETE AND SUBMIT\****

## ***Advertisement Form***

***For All Firms Participating in the bid please answer questions below:***

Please let us know how you heard about the BID/RFP advertisement by selecting one of the following.

- |   |              |
|---|--------------|
| 1. Internet/Social Media to include Facebook, etc.  | Yes___ No___ |
| 2. City of Albany website                           | Yes___ No___ |
| 3. City of Albany local access channel (channel 16) | Yes___ No___ |
| 4. Georgia Procurement Registry                     | Yes___ No___ |
| 5. Other: _____                                     |              |

Please indicate if you are a DBE: Yes\_\_\_\_\_ No\_\_\_\_\_

DATE: \_\_\_\_\_

COMPANY NAME: \_\_\_\_\_

AUTHORIZED REPRESENTATIVE NAME: \_\_\_\_\_

TITLE: \_\_\_\_\_

SIGNATURE: \_\_\_\_\_

**CONTRACT**  
**#6 Copper Primary Re-Conduct/Replacement Phase 4B**  
**Bid Reference No. 26-031**

THIS AGREEMENT, made as of the \_\_\_\_\_ day of \_\_\_\_\_ 20\_\_\_\_, by and between The City of Albany, Ga., (Party of First Part, hereinafter called the Owner) and \_\_\_\_\_, (Party of the Second Part, hereinafter called the Contractor).

WITNESSETH: That the said Contractor has agreed, and by these present does agree with the said Owner, for the consideration herein mentioned in his bid and under the penalty expressed in bid document, hereto attached, to furnish all equipment, tools, and materials, skill and labor of every description necessary to carry out and complete in good, firm, and substantial workmanlike manner, the specified work in strict conformity with the drawings and specifications hereinafter set forth which together with the foregoing bid made by the Contractor, the Notice to Contractors, Instructions to Bidders, General Conditions, Addenda, Special Provisions and this Agreement, shall all form essential parts of the Agreement. The work covered by this Agreement includes all work shown on drawings and specifications and listed in the attached bid.

The Owner shall pay, and the Contractor shall receive the **LUMP SUM** stipulated in the Bid for the **Phase 4B #6 Copper Primary Re-Conduct/Replacement Project** as full compensation for everything furnished and done by the Contractor under this Contract. The full lump sum of \$\_\_\_\_\_ shall be paid in thirty (30) day increments in the manner and according to the terms specified in the Contract Documents, included in the Contractor's periodic estimate. If the Contractor shall not have submitted evidence satisfactory to the Owner that all payrolls, material bills, and other indebtedness connected with the work have been paid, the Owner may withhold, in addition to the retained percentages, such amount or amounts as may be necessary to pay just claims for labor, services rendered and materials in and about the work, and such amount or amounts withheld or retained may be applied by the Owner, to the payment of just claims.

Contractor is required to provide acceptable proof of insurance coverage. Acceptable proofs are a Certificate of Insurance with Additional Insured Endorsement (a Certificate of Insurance by itself is not acceptable) or Declaration Pages of the insurance policies listed which show the City of Albany as additional insured. The insurance company must be authorized to provide insurance in the State of Georgia. Required Insurance Policies and Endorsements are: Commercial General Liability of at least **\$1,000,000** for bodily injury and property damage with the City of Albany as additional insured, Automobile/Vehicle Liability of at least **\$500,000** each occurrence for bodily injury and property damage covering owned, non-owned, leased and hired autos/vehicles with the City of Albany as additional insured and Worker's Compensation in the statutory limits of Georgia and Employers' Liability with limits of liability of no less than **\$100,000** of each accident/disease. These policies must also contain a waiver of subrogation in favor of the City of Albany. All insurance policies must provide that the City of Albany will be notified within 30 days of any changes, restrictions and/or cancellation. If applicable, Professional Liability in addition to above requirements, of at least **\$500,000** each claim. Proof of insurance must be submitted to the Procurement Division and approved by Risk Management prior to performance of any work.

Contractor agrees that as to any actions or proceedings arising out or related to this agreement, any such proceedings shall be governed and determined by Georgia Law.

Contractor further agrees that as to any actions or proceedings arising out of or related to this agreement, any such action or proceeding shall be resolved only in an appropriate court located in Dougherty County, Georgia.

Contractor agrees to indemnify and hold harmless the City, its agents, officers, and employees, their successors and assigns, individually and collectively, with respect to all claims, demands or liability for any injuries to any person (including death) or damage to any property arising out of the activities of contractor or based on alleged negligence of contractor, its officers, agents, or employees and contractor shall defend against all such claims and pay all expenses of such defense, including attorney fees, and all judgments based thereon; provided that this obligation shall not extend to any damage, injury or loss due to the sole negligence or willful injury of the City.

IN WITNESS WHEREOF the parties hereto have executed this Agreement in quadruplicate this \_\_\_\_ day of \_\_\_\_\_, 20\_\_.

CITY OF ALBANY, GA.  
(Owner)

BY: \_\_\_\_\_  
AUTHORIZED SIGNATURE

\_\_\_\_\_  
(Title)

\_\_\_\_\_  
(Contractor)

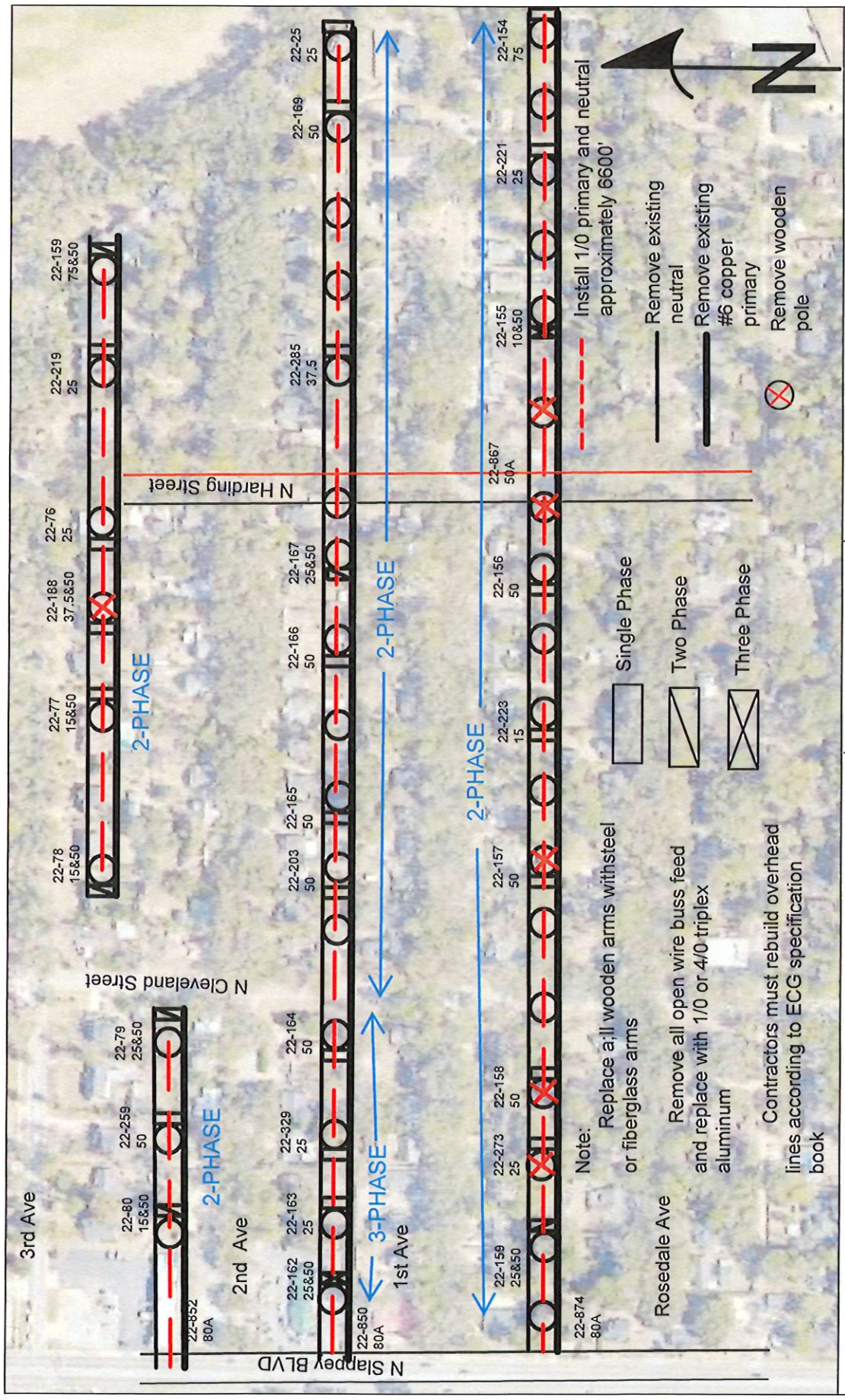
By: \_\_\_\_\_

\_\_\_\_\_  
(Title)

(SEAL)

\_\_\_\_\_  
(Witness)

\_\_\_\_\_  
(Witness)



Note:  
 Replace all wooden arms with steel or fiberglass arms  
 Remove all open wire buss feed and replace with 1/0 or 4/0 triplex aluminum  
 Contractors must rebuild overhead lines according to ECG specification book

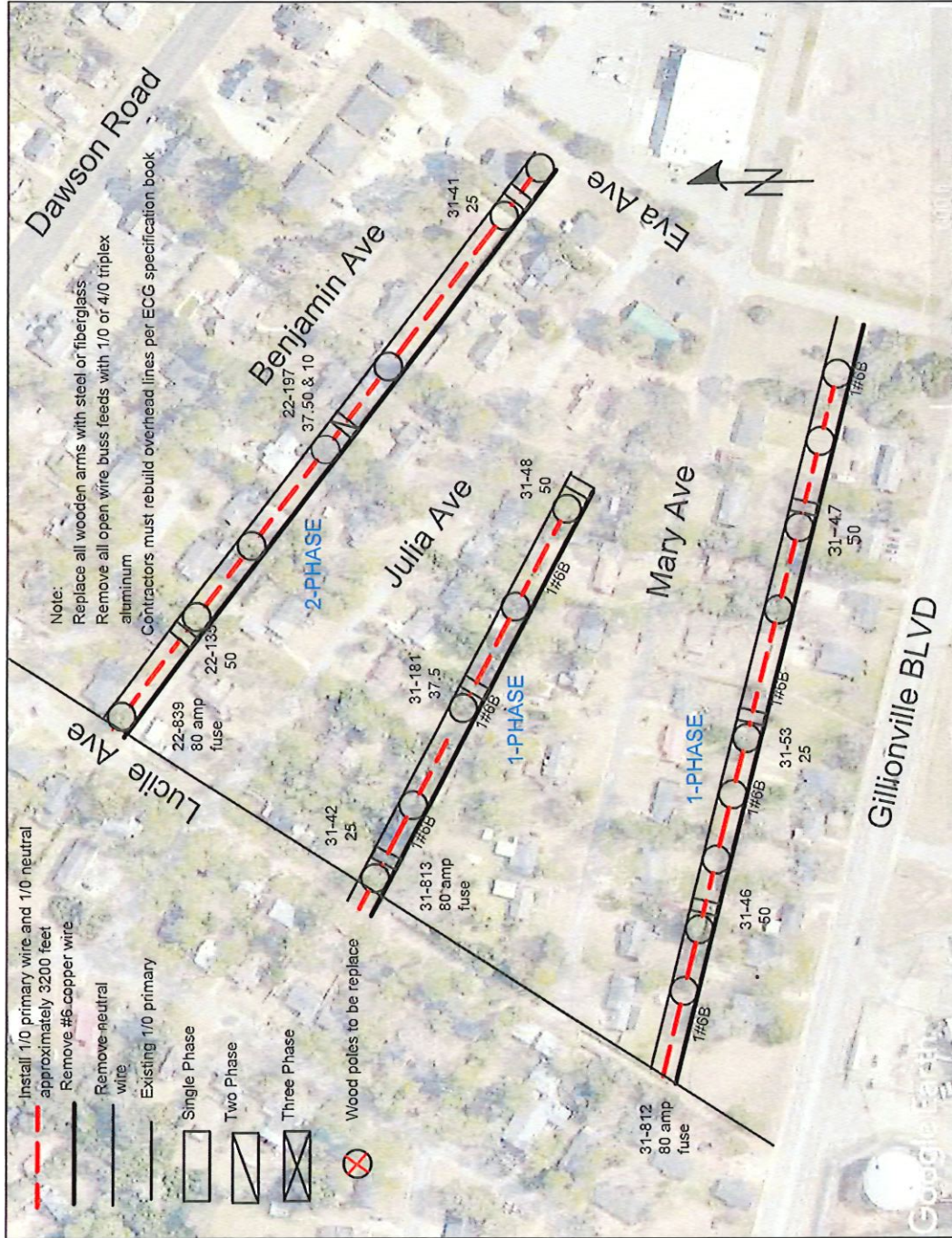
Install 1/0 primary and neutral approximately 6600'

Remove existing neutral  
 Remove existing #6 copper primary  
 Remove wooden pole

Single Phase  
 Two Phase  
 Three Phase

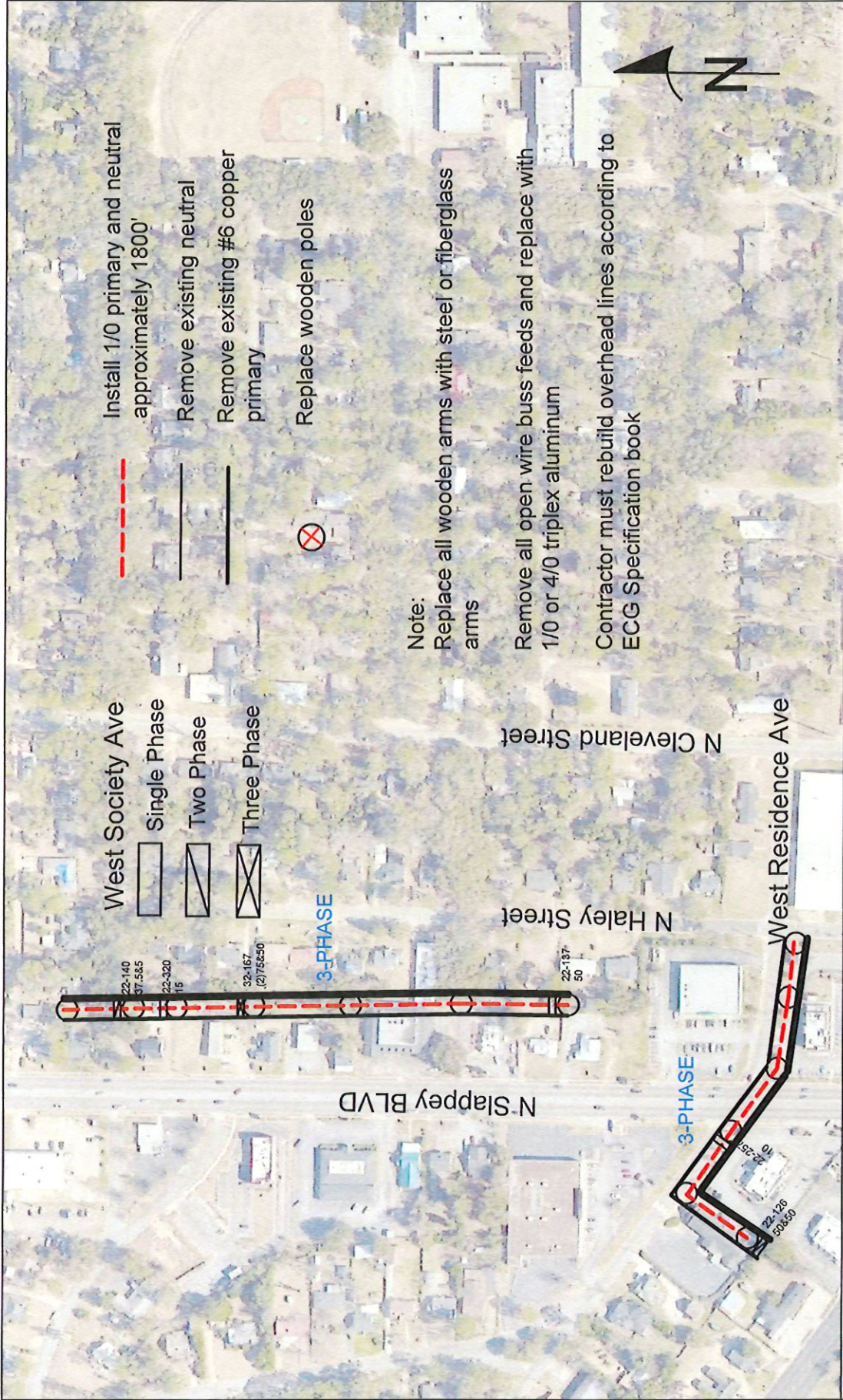
ALBANY UTILITIES	ALBANY, GEORGIA	APP BY:	DATE:	SCALE:	DATE:	DATE:
	P.O. BOX 1788 31702					DRAW BY:
						DRAWING #

2-PHASE= 6,000FT.  
 3-PHASE= 600FT.  
 REPLACE 6 POLES

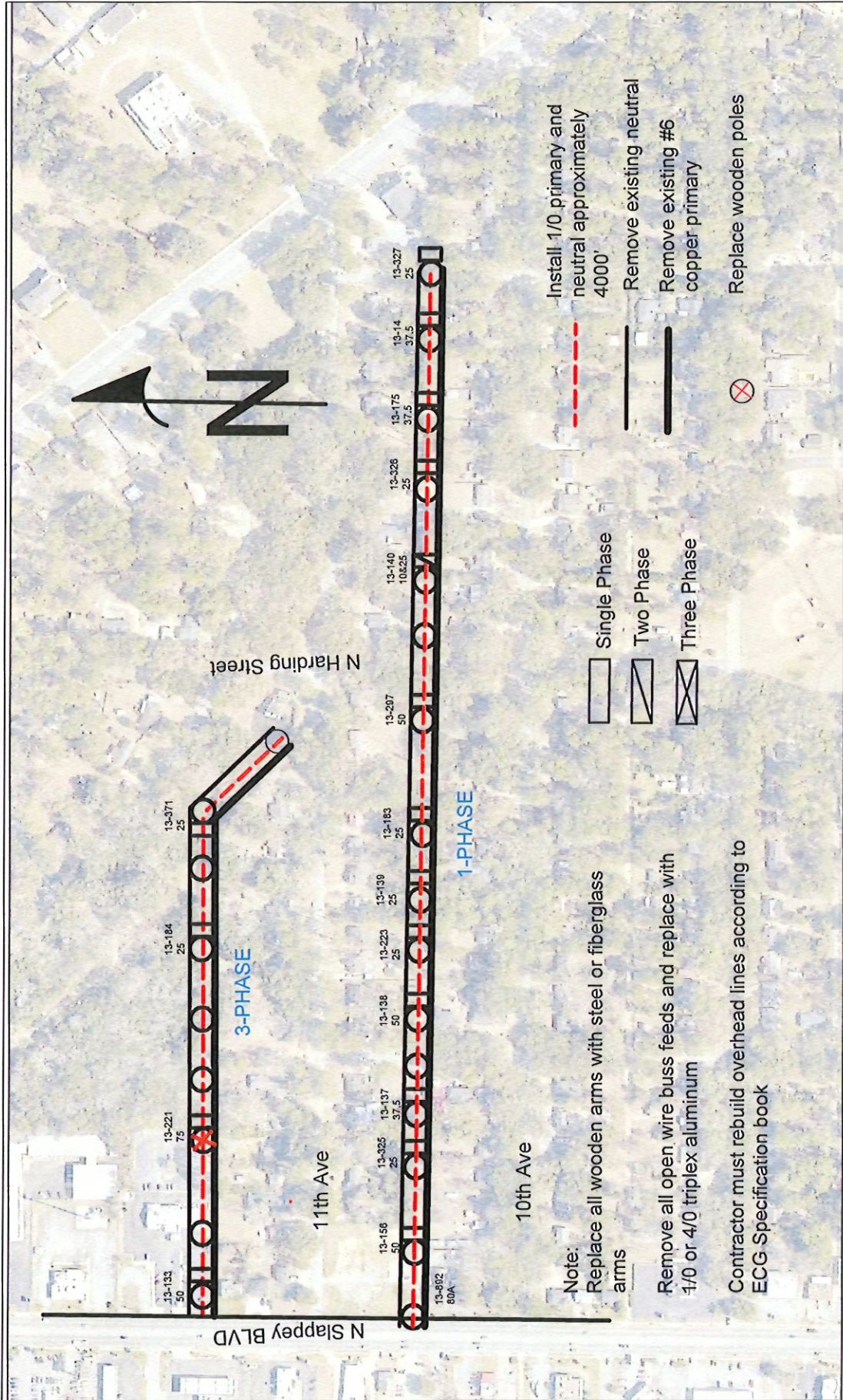


ALBANY UTILITIES	ALBANY, GEORGIA		DATE:	DATE:	DATE:
	P.O. BOX 1788 31702		SCALE:	DATE:	DRAW. BY:
2-PHASE= 1,200 FT.		DRAWING #			
1-PHASE= 2,000 FT.					

510 RDR #25001 #6 Copper Replacement Phases 415



<b>ALBANY UTILITIES</b> Bid No. #26-031 #6 Copper Replacement-Phase #5	<b>ALBANY, GEORGIA</b> P.O. BOX 1788 31702		APP BY:	DATE:	SCALE:	DATE:	DATE:
	<b>3-PHASE = 1,800 FT.</b>		DRAW BY: DRAWING #				

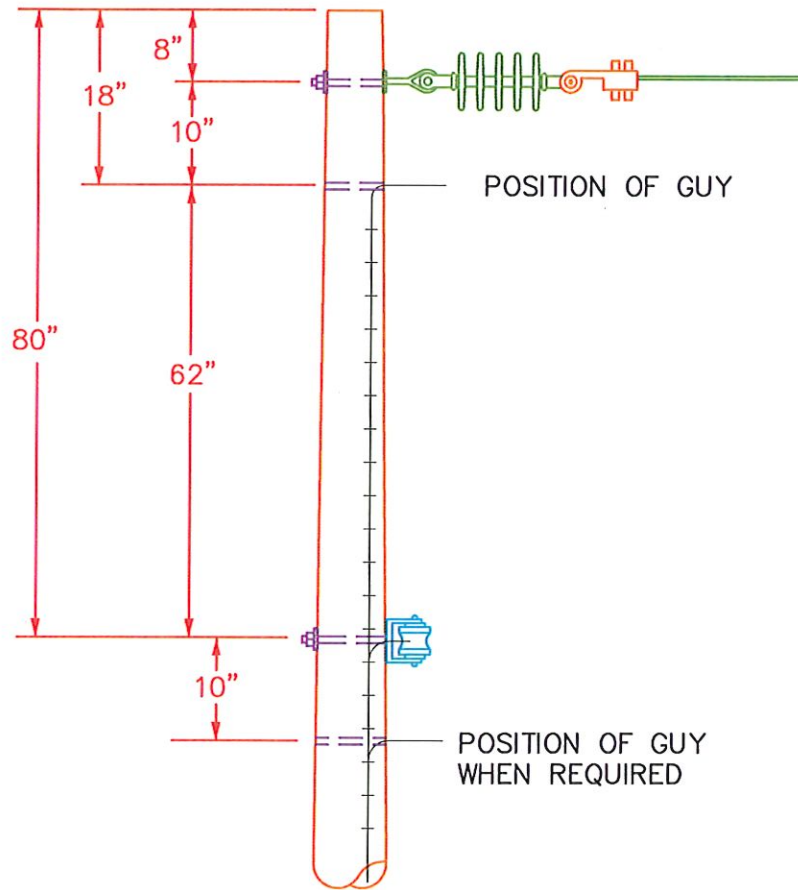


ALBANY UTILITIES	ALBANY, GEORGIA		APP BY:	DATE:	SCALE:	DATE:	DATE:
	P.O. BOX 1788 31702						DRAW BY: DRAWING #
1-PHASE= 2,500 FT. 3-PHASE= 1,500 FT. REPLACE 1 POLE							
510 R01: #25-031 #6 Copper Replacement Phase #B							





TOP VIEW



**STANDARD CONFIGURATION,**  
**DEADEND**

NOTE:  
MINIMUM DISTANCE FROM LOWEST  
PRIMARY TO NEUTRAL POSITION IS 36"

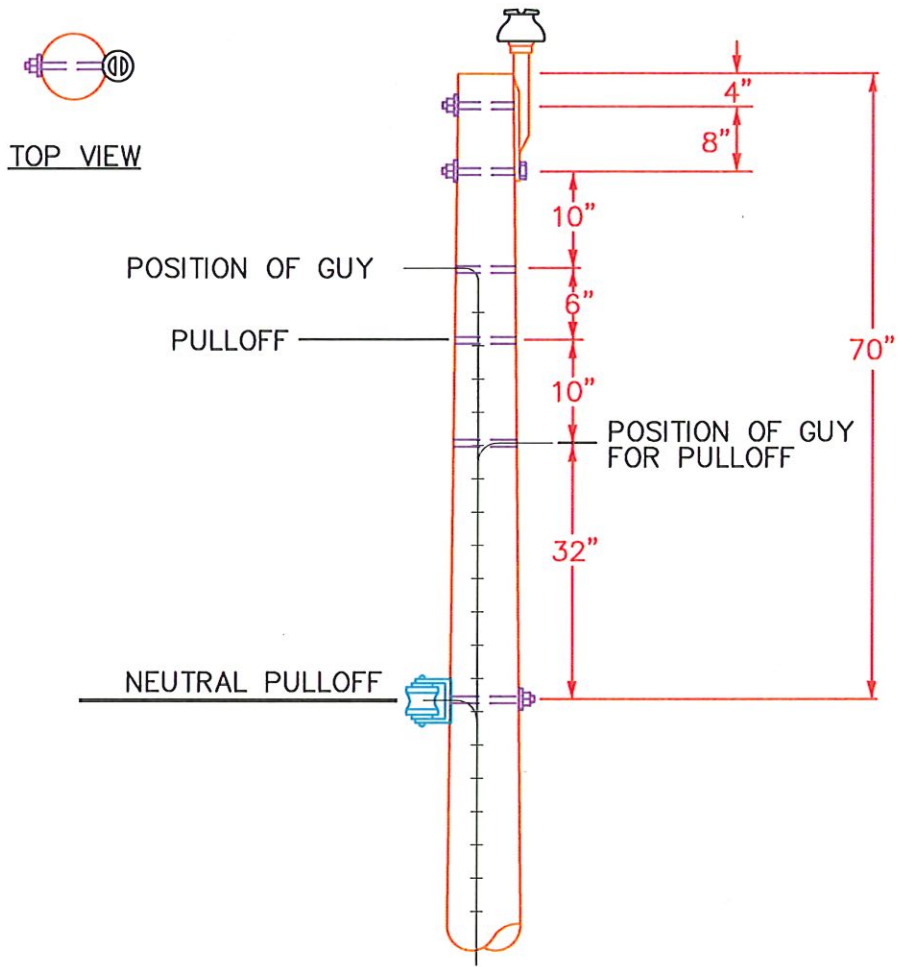


REVISIONS JULY, 2002  
JANUARY, 2007

**A5**

DATE: OCTOBER, 1992






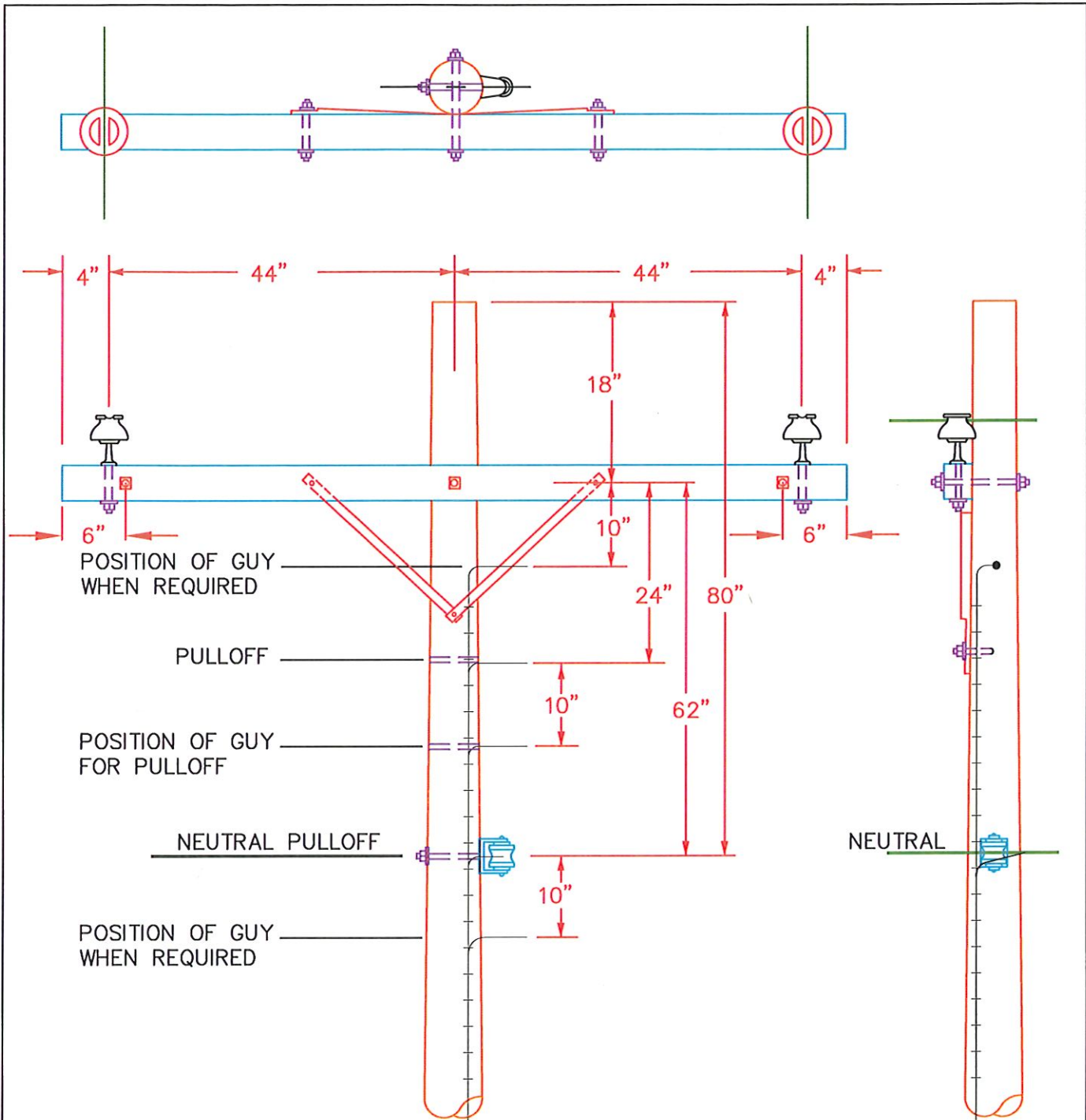
**0° - 6° LINE ANGLE**

**STANDARD CONFIGURATION,  
STRAIGHT LINE CONSTRUCTION**

NOTE:  
MINIMUM DISTANCE FROM LOWEST  
PRIMARY TO NEUTRAL POSITION IS 36"

	REVISIONS <u>AUGUST, 2002</u> _____ _____	<h1>A1</h1>
DATE: <u>OCTOBER, 1992</u>	_____ _____	





**0° - 6° LINE ANGLE**

**STRAIGHT LINE,  
CROSSARM CONSTRUCTION, SINGLE ARM SUPPORT**

NOTE:  
MINIMUM DISTANCE FROM LOWEST  
PRIMARY TO NEUTRAL POSITION IS 36"



REVISIONS JULY, 2002

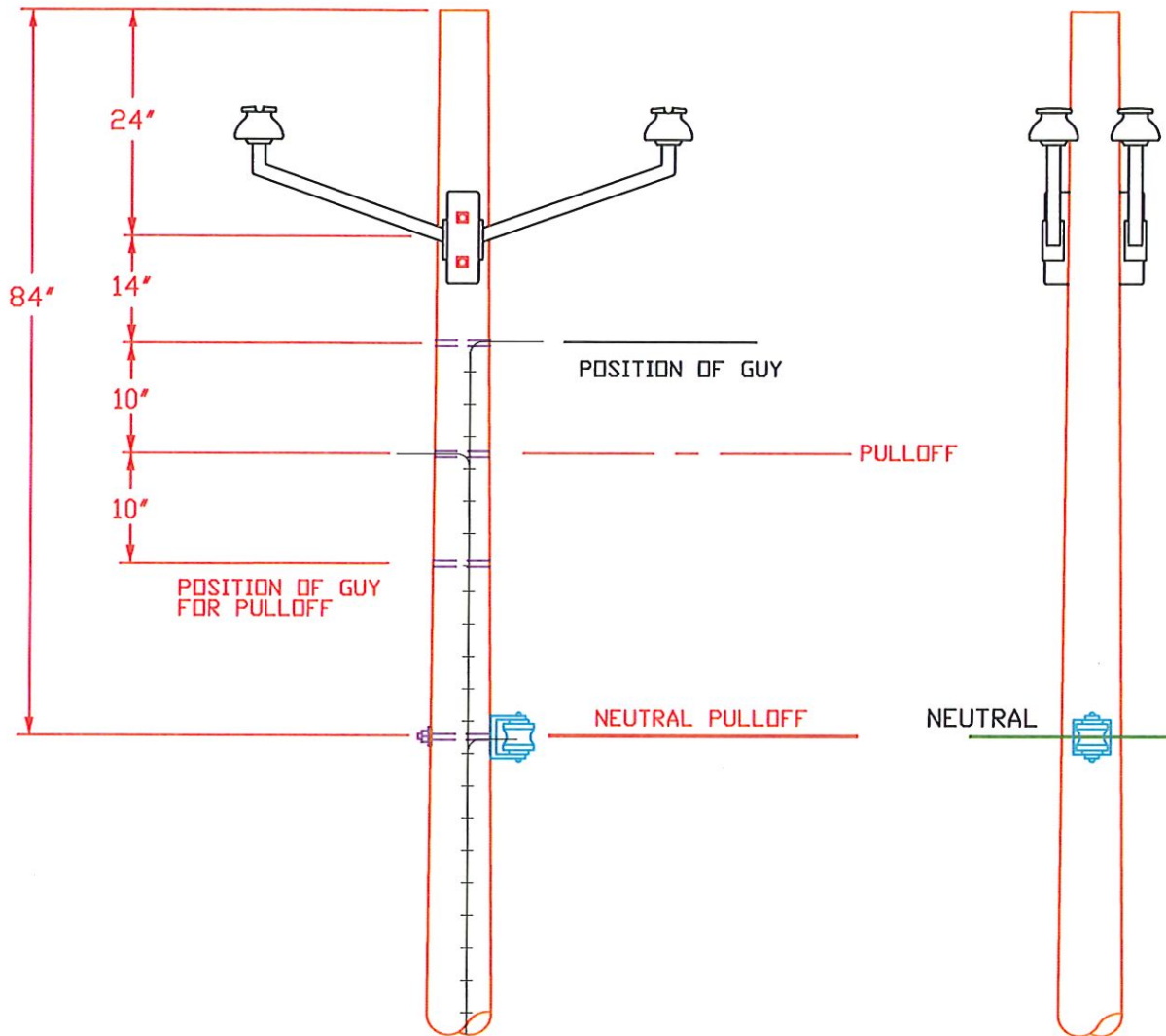
DATE: OCTOBER, 1992

**B1**



FRONT VIEW

SIDE VIEW



**6° - 24° LINE ANGLE**

**STANDARD CONFIGURATION,  
MEDIUM ANGLE CONSTRUCTION**

NOTE:  
MINIMUM DISTANCE FROM LOWEST  
PRIMARY TO NEUTRAL POSITION IS 36"

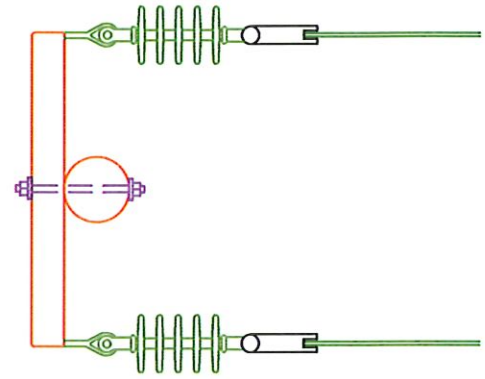


REVISIONS JULY, 2002

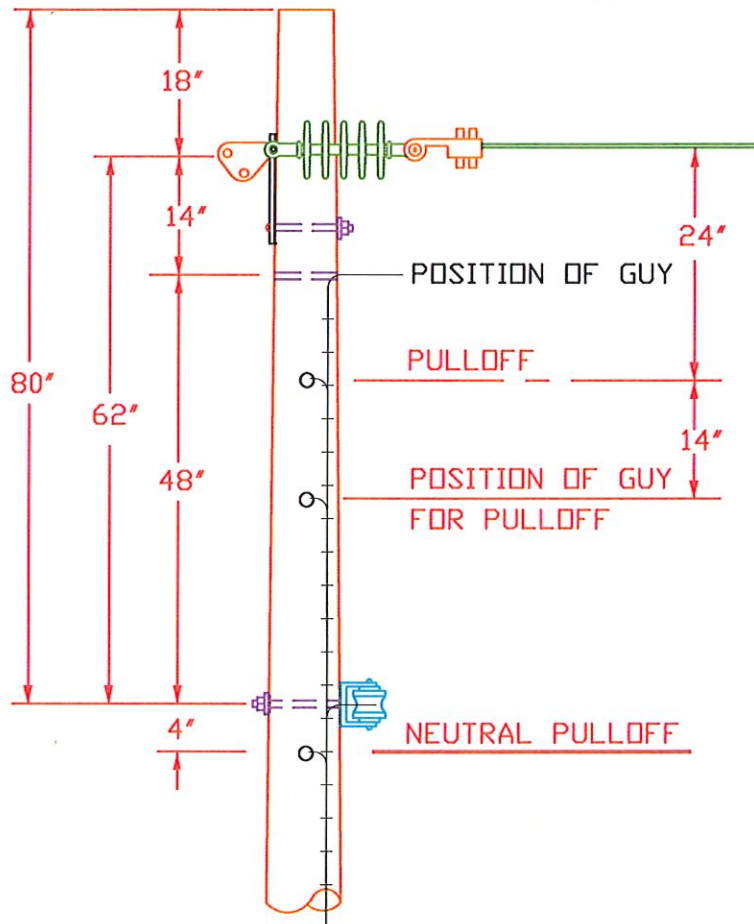
**B2F**

DATE: OCTOBER, 1992





TOP VIEW



## STANDARD CONFIGURATION, HORIZONTAL DEADEND

NOTE:  
MINIMUM DISTANCE FROM LOWEST  
PRIMARY TO NEUTRAL POSITION IS 36"

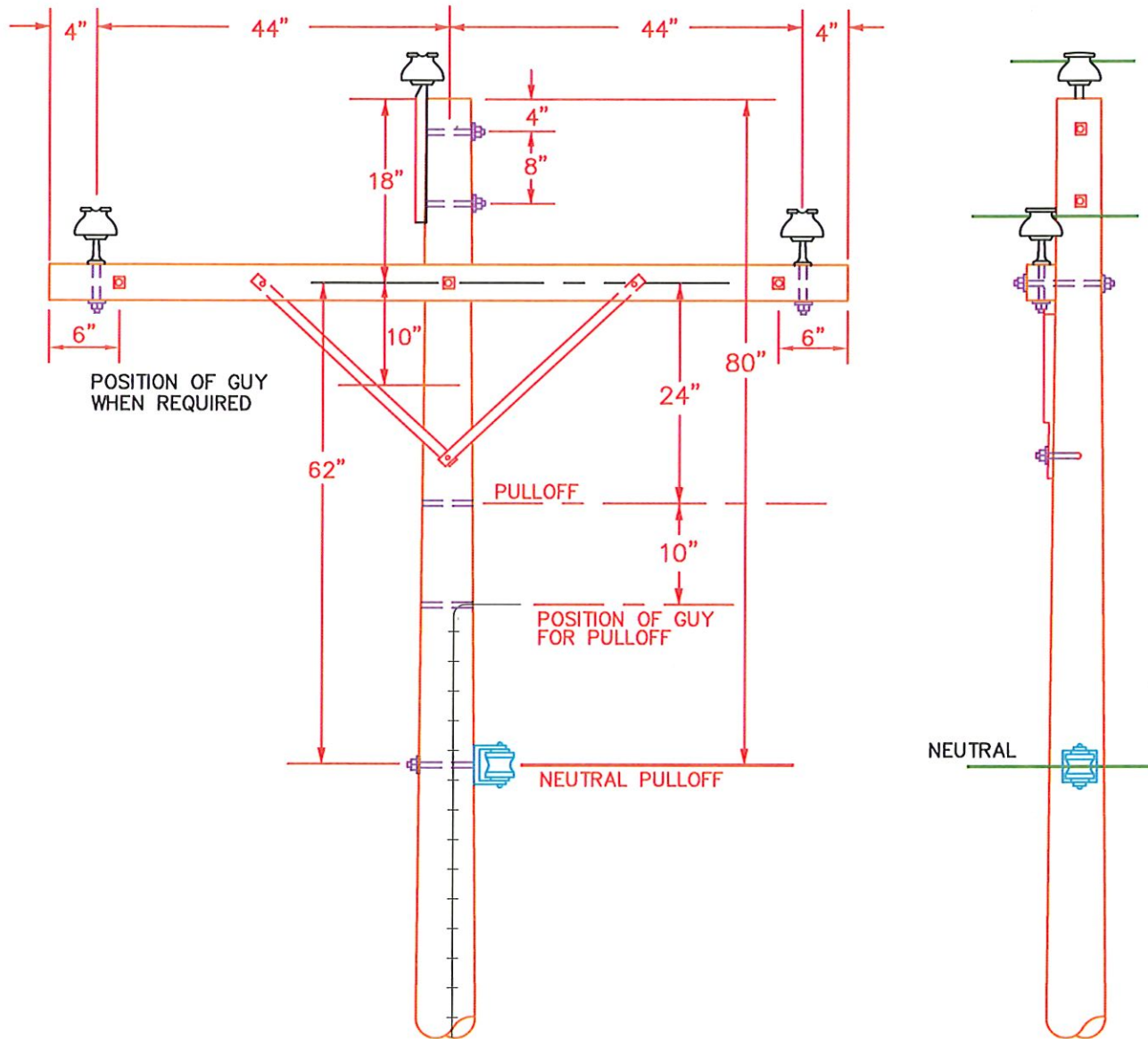


DATE: OCTOBER, 1992

REVISIONS JULY, 2002  
JANUARY, 2007

**B7S**





**0° - 6° LINE ANGLE TIE TYPE**

**STANDARD CONFIGURATION, STRAIGHT LINE  
CROSSARM CONSTRUCTION, SINGLE ARM SUPPORT**

NOTE:  
MINIMUM DISTANCE FROM LOWEST  
PRIMARY TO NEUTRAL POSITION IS 36"

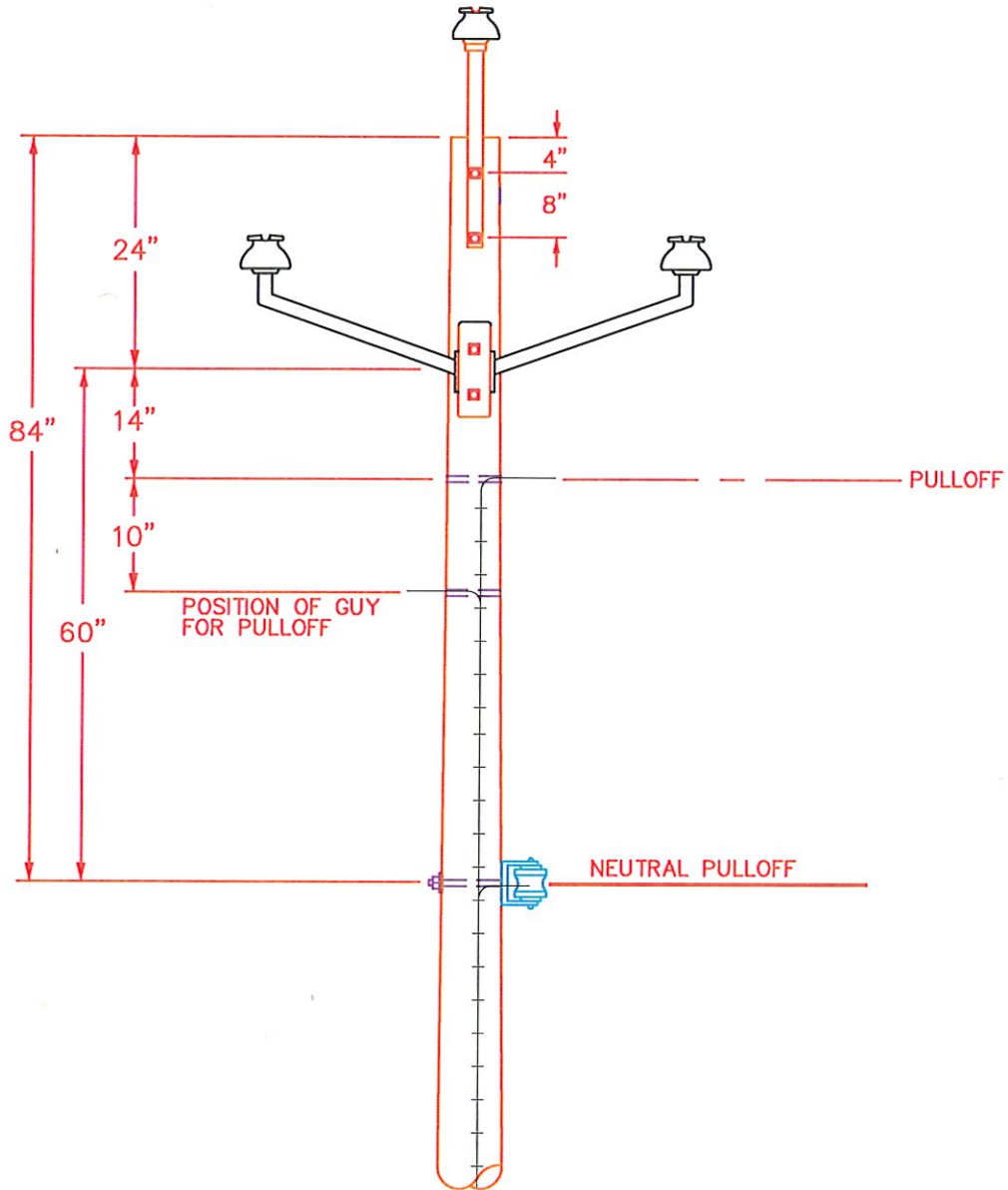


REVISIONS JULY, 2002

**C1**

DATE: OCTOBER, 1992





**0° - 6° LINE ANGLE**

**STANDARD CONFIGURATION,**  
**STRAIGHT LINE CONSTRUCTION**

NOTE:  
 MINIMUM DISTANCE FROM LOWEST  
 PRIMARY TO NEUTRAL POSITION IS 36"

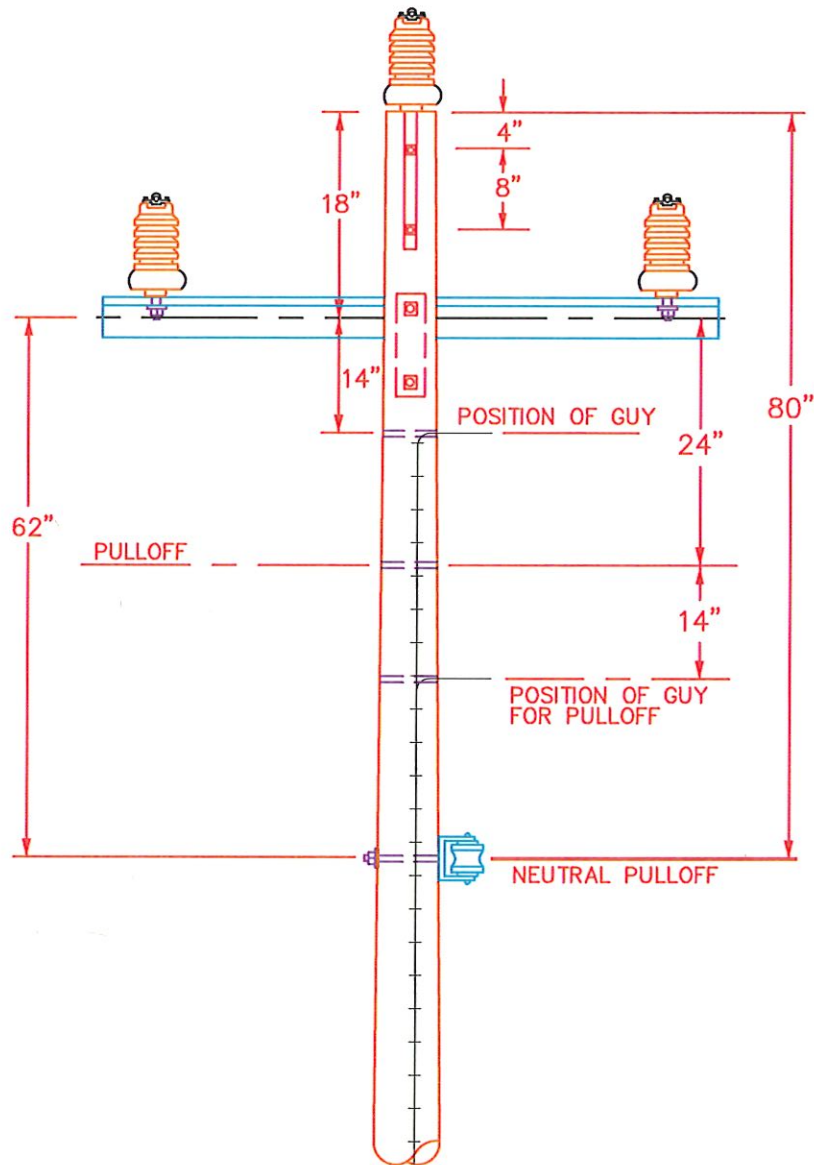


REVISIONS JULY, 2002

**C1F**

DATE: OCTOBER, 1992





**0° - 10° LINE ANGLE THROUGH 1/0 ACSR**  
**0° - 20° LINE ANGLE ABOVE 1/0 ACSR**

**STEEL ARM,**  
**MEDIUM ANGLE CONSTRUCTION**

NOTE:  
 MINIMUM DISTANCE FROM LOWEST  
 PRIMARY TO NEUTRAL POSITION IS 36"

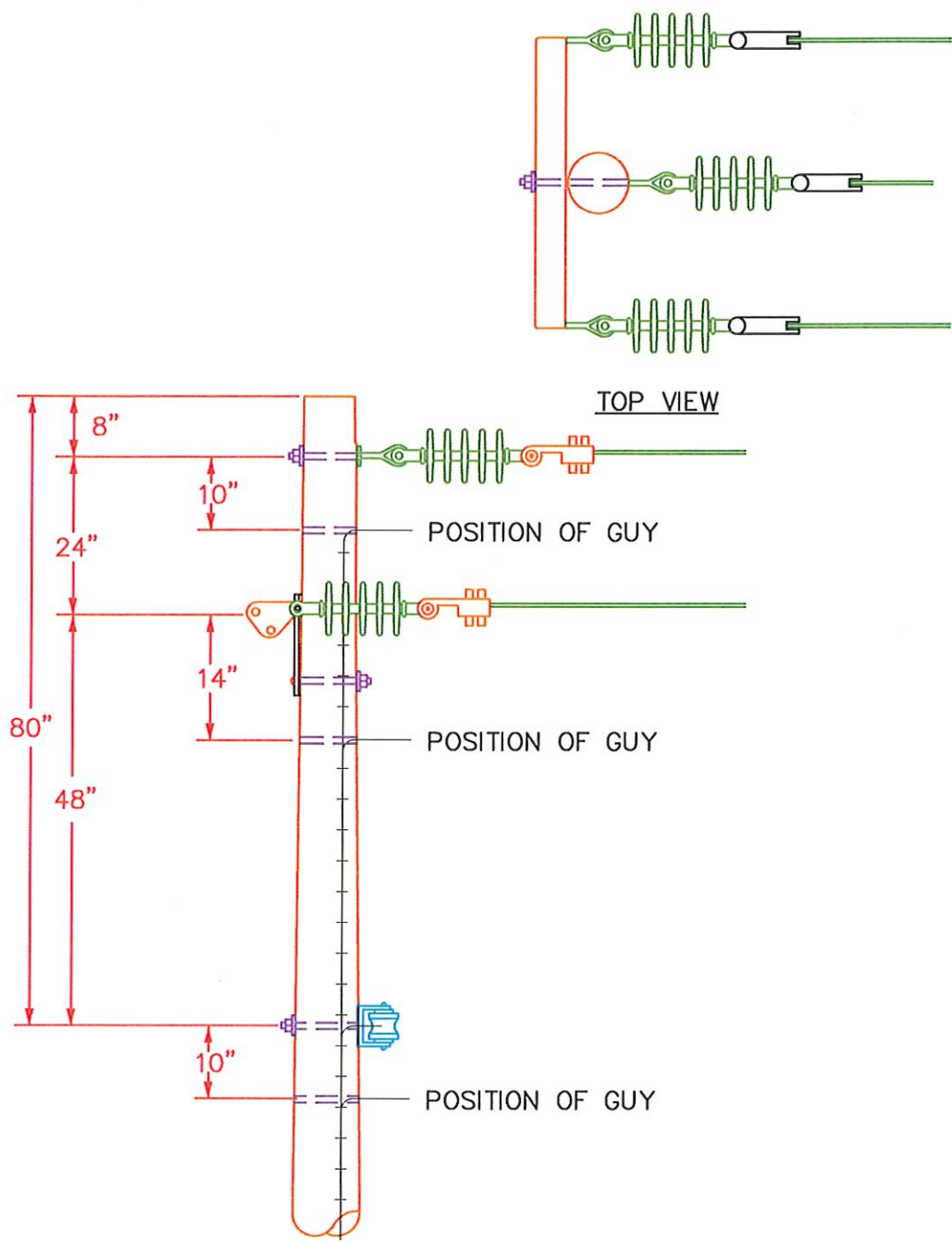


REVISIONS JULY, 2002

**C2-2S**

DATE: OCTOBER, 1992






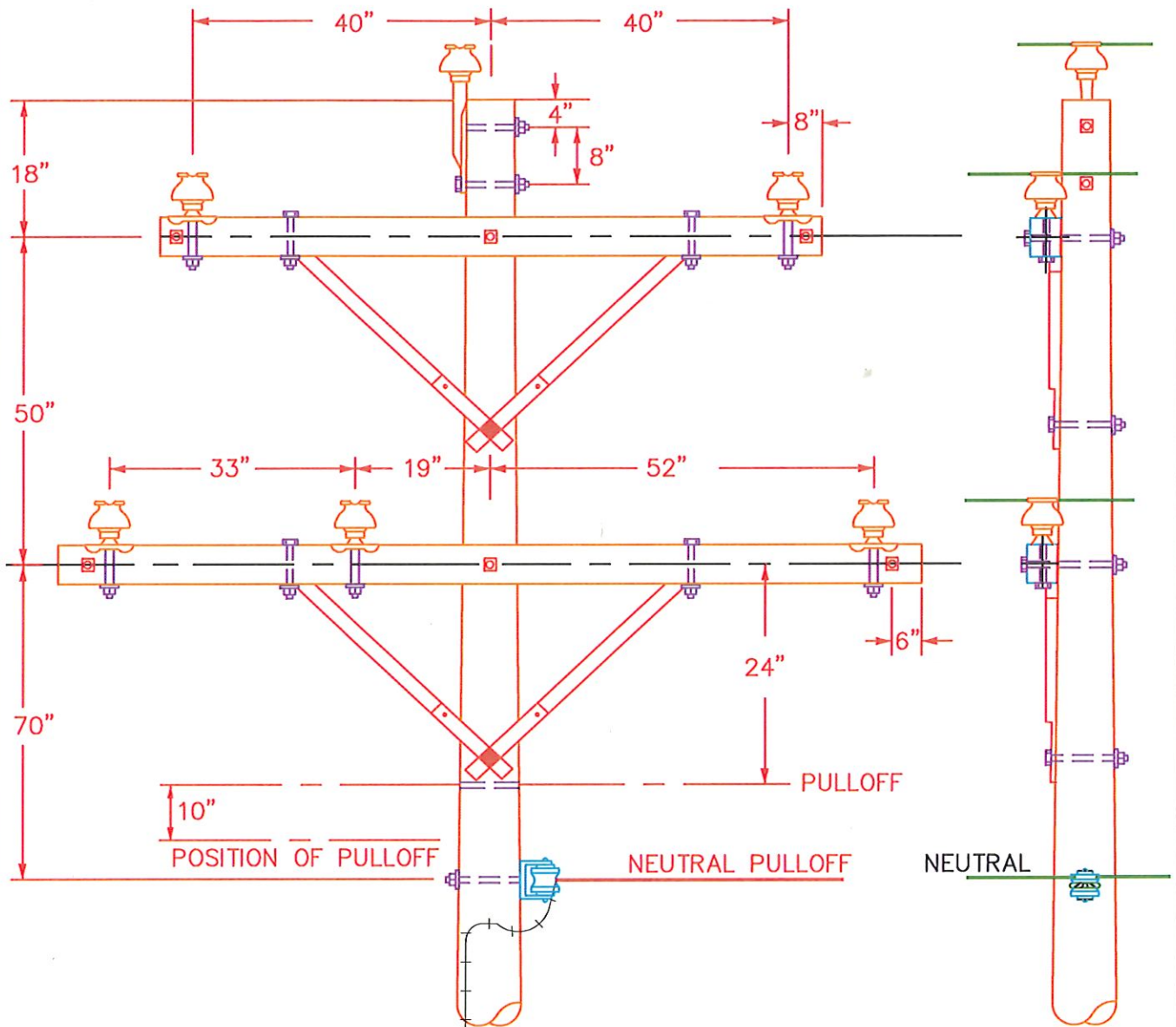
**NOTE: NOT RECOMMENDED FOR THREE PHASE PULLOFF**

**STANDARD CONFIGURATION,**  
**HORIZONTAL DEADEND**

NOTE:  
MINIMUM DISTANCE FROM LOWEST  
PRIMARY TO NEUTRAL POSITION IS 36"

	REVISIONS <u>JULY, 2002</u> <u>JANUARY, 2007</u>	<b>C7S</b>
DATE: <u>OCTOBER, 1992</u>		





0° - 6° LINE ANGLE

## DOUBLE CIRCUIT, STRAIGHT LINE CONSTRUCTION

NOTE:  
MINIMUM DISTANCE FROM LOWEST  
PRIMARY TO NEUTRAL POSITION IS 36"

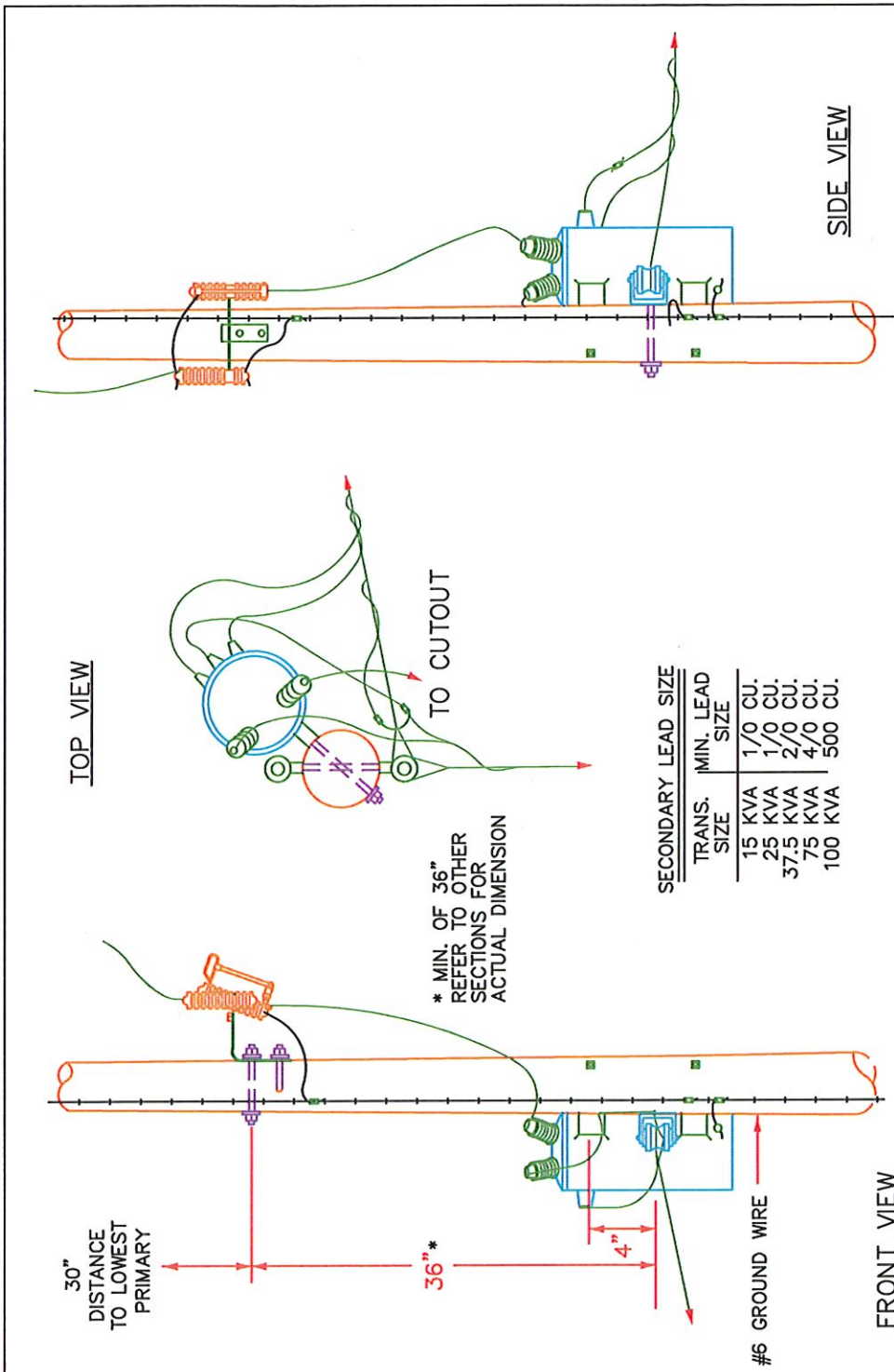


REVISIONS JULY, 2002  
\_\_\_\_\_  
\_\_\_\_\_

**DC-C1**


DATE: OCTOBER, 1992





- NOTES:**
1. CONNECT TRANSFORMER SECONDARY NEUTRAL LEAD TO SYSTEM AND LEAVE APPROXIMATELY 12 INCH TAIL FOR SERVICE NEUTRAL CONNECTIONS.
  2. IF SECONDARY IS TO EXTEND IN LINE, EXTEND PRIMARY WIRE TO ELIMINATE CONFLICT BETWEEN SECONDARY AND ANCHOR GUY. IF IT IS NOT DESIRABLE TO EXTEND PRIMARY, INSTALL SPAN GUY TO NEXT POLE.
  3. AVOID PLACING CUTOUT DIRECTLY ABOVE TRANSFORMER.
  4. USE WILDLIFE GUARDS AND COVERED RISER WIRE.

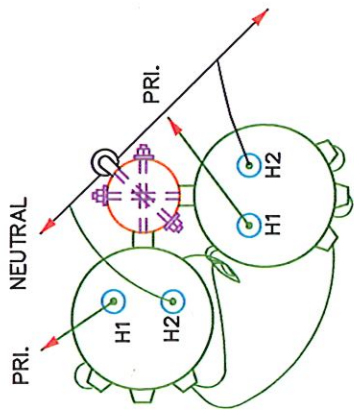
# SINGLE TRANSFORMER INSTALLATION, DEADEND POLE

	REVISIONS <u>  JULY, 2001  </u> <hr/> <hr/>	<h2 style="margin: 0;">G110</h2>
DATE: <u>  OCTOBER, 1992  </u>		



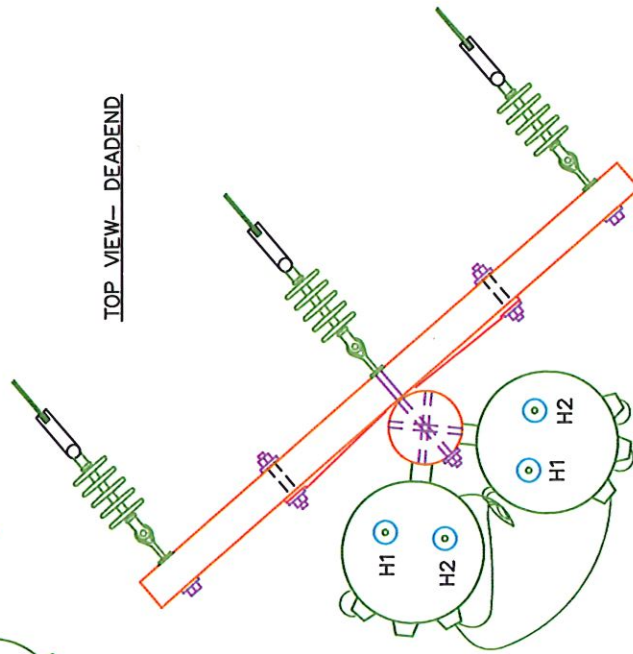
30" DISTANCE TO LOWEST PRIMARY

TOP VIEW— TANGENT



\* MIN. OF 54" — REFER TO OTHER SECTIONS FOR ACTUAL DIMENSION

TOP VIEW— DEADEND



SECONDARY LEAD SIZE

TRANS. SIZE	MIN. LEAD SIZE
15 KVA	1/0 CU.
25 KVA	1/0 CU.
37.5 KVA	2/0 CU.
75 KVA	4/0 CU.
100 KVA	500 CU.

NOTES:

1. CONNECT TRANSFORMER SECONDARY NEUTRAL LEAD TO SYSTEM AND LEAVE APPROXIMATELY 12 INCH TAIL FOR SERVICE NEUTRAL CONNECTIONS.
2. USE WILDLIFE GUARDS AND COVERED RISER WIRE.
3. AVOID PLACING CUTOUT DIRECTLY ABOVE TRANSFORMER.

## TWO TRANSFORMERS, CLUSTER MOUNTED OPEN WYE- OPEN DELTA



DATE: OCTOBER, 1992

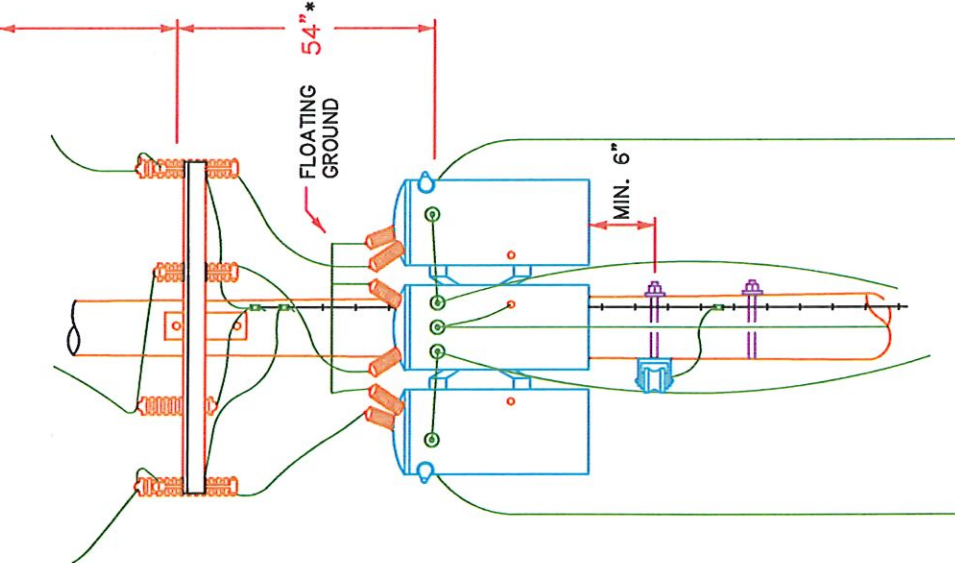
REVISIONS JULY, 2001  
JANUARY, 2007

**G210**

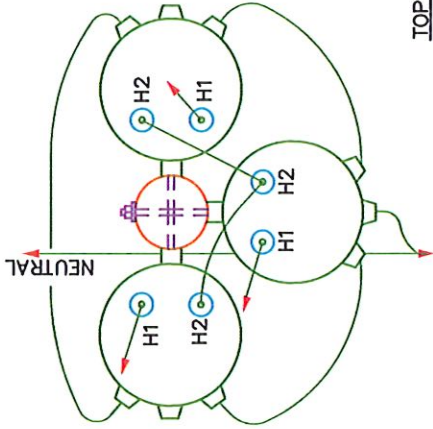


30" DISTANCE TO LOWEST PRIMARY

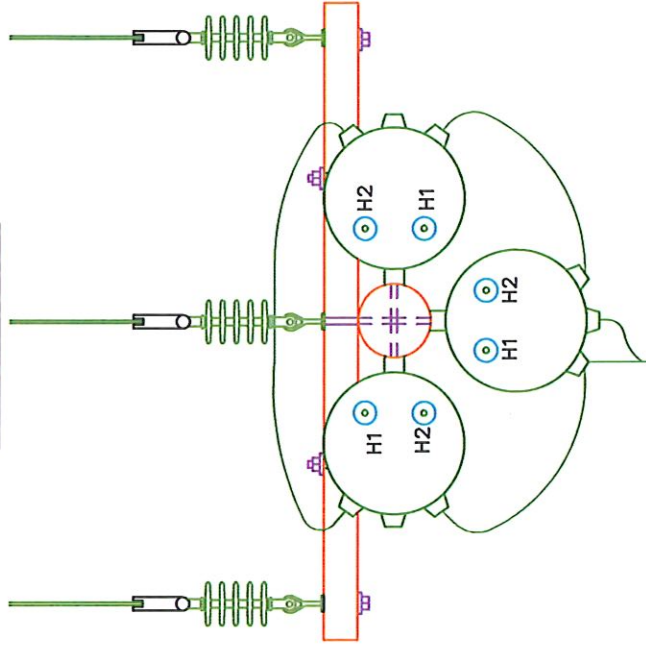
TOP VIEW—TANGENT



\* MIN. OF 54" REFER TO OTHER SECTIONS FOR ACTUAL DIMENSION



TOP VIEW—DEADEND



SECONDARY LEAD SIZE

TRANS. SIZE	MIN. LEAD SIZE
15 KVA	1/0 CU.
25 KVA	1/0 CU.
37.5 KVA	2/0 CU.
75 KVA	4/0 CU.
100 KVA	500 CU.

- NOTES:
1. AVOID PLACING CUTOUPS DIRECTLY ABOVE TRANSFORMERS.
  2. USE WDLIFE GUARDS AND COVERED RISER WIRE.

# THREE TRANSFORMERS, CLUSTER MOUNTED CLOSED DELTA



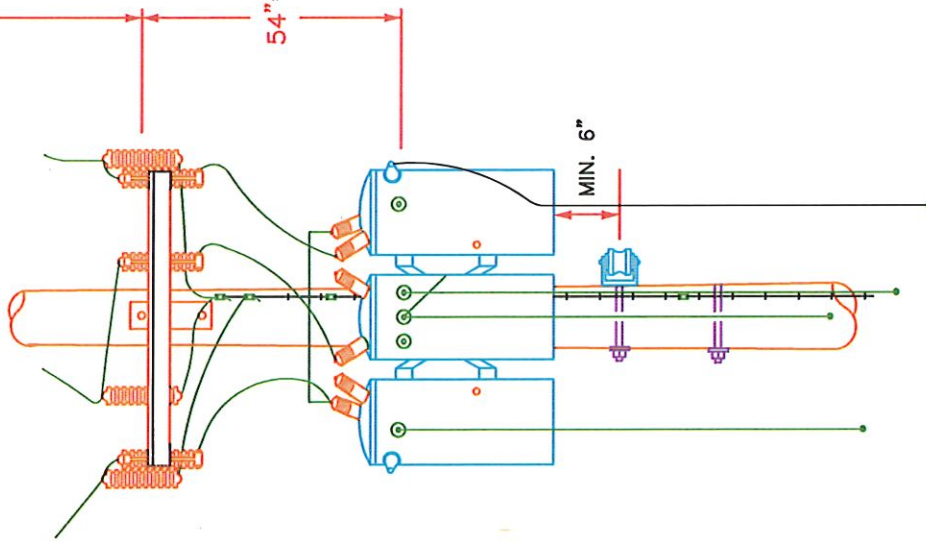
DATE: OCTOBER, 1992

REVISIONS JULY, 2001  
JANUARY, 2007

**G310**

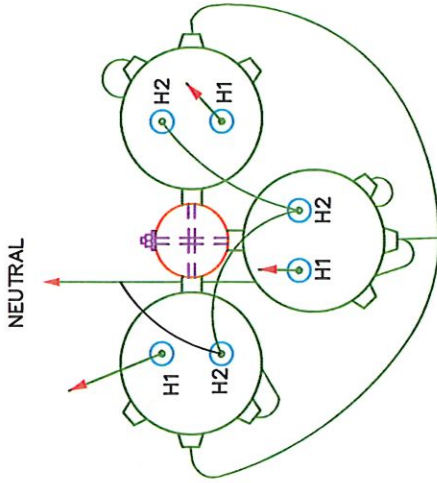


30" DISTANCE TO LOWEST PRIMARY



\* MIN. OF 54" REFER TO OTHER SECTIONS FOR ACTUAL DIMENSION

TOP VIEW



SECONDARY LEAD SIZE

TRANS. SIZE	MIN. LEAD SIZE
15 KVA	1/0 CU.
25 KVA	1/0 CU.
37.5 KVA	2/0 CU.
75 KVA	4/0 CU.
100 KVA	500 CU.

- NOTES:
1. AVOID PLACING CUTOUTS DIRECTLY ABOVE TRANSFORMERS.
  2. USE WILDLIFE GUARDS AND COVERED RISER WIRE.

# THREE TRANSFORMERS, CLUSTER MOUNTED 4-WIRE GROUNDED WYE- GROUNDED WYE

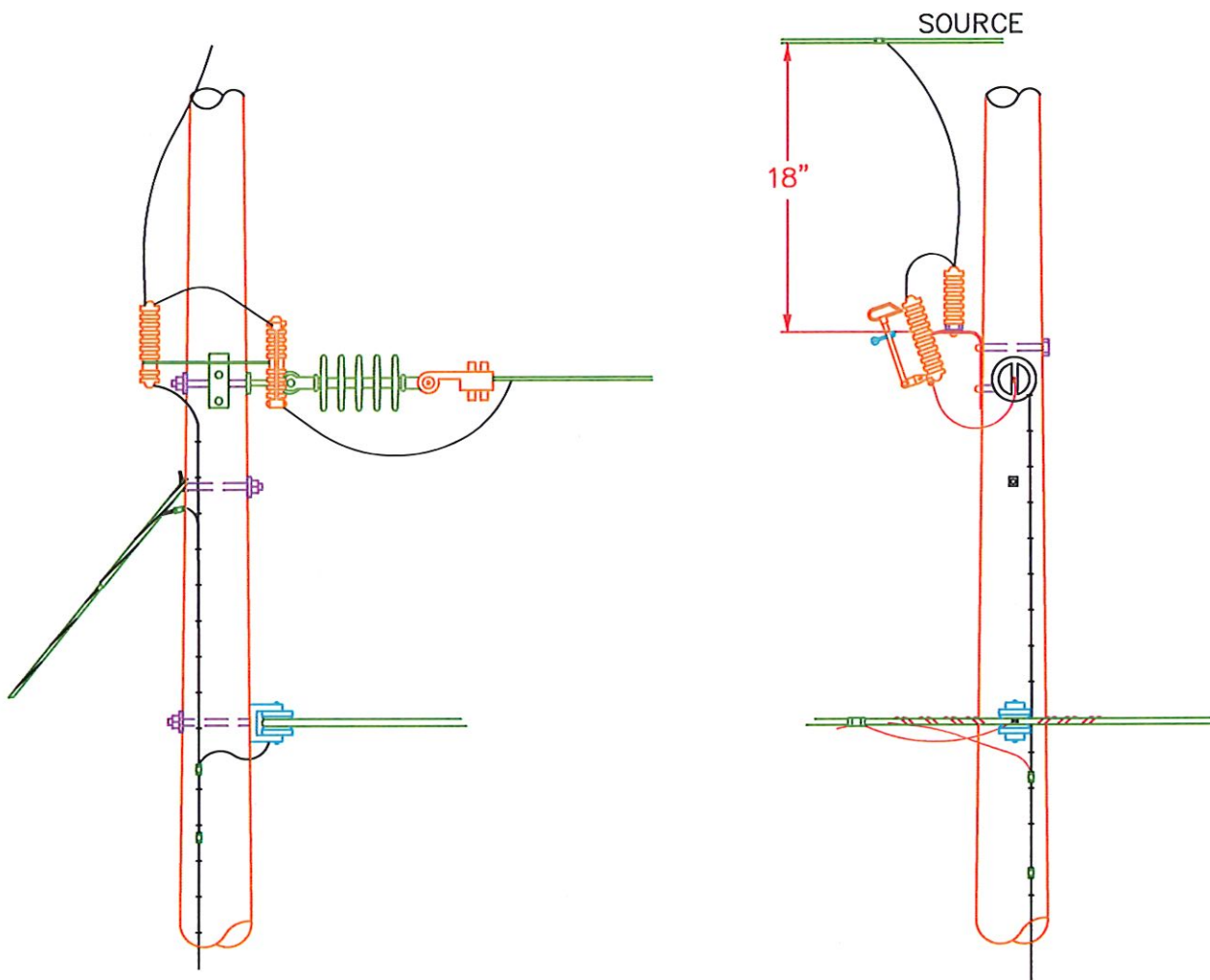


REVISIONS JULY, 2001

**G312**

DATE: OCTOBER, 1992





NOTE:  
 IF PRIMARY IS ON WOOD ARM MOUNT CUTOUT ON WOOD ARM. COMMON 100 A CUTOUT.

## SECTIONALIZING-FUSED, SINGLE PHASE PRIMARY LINE PULL OFF

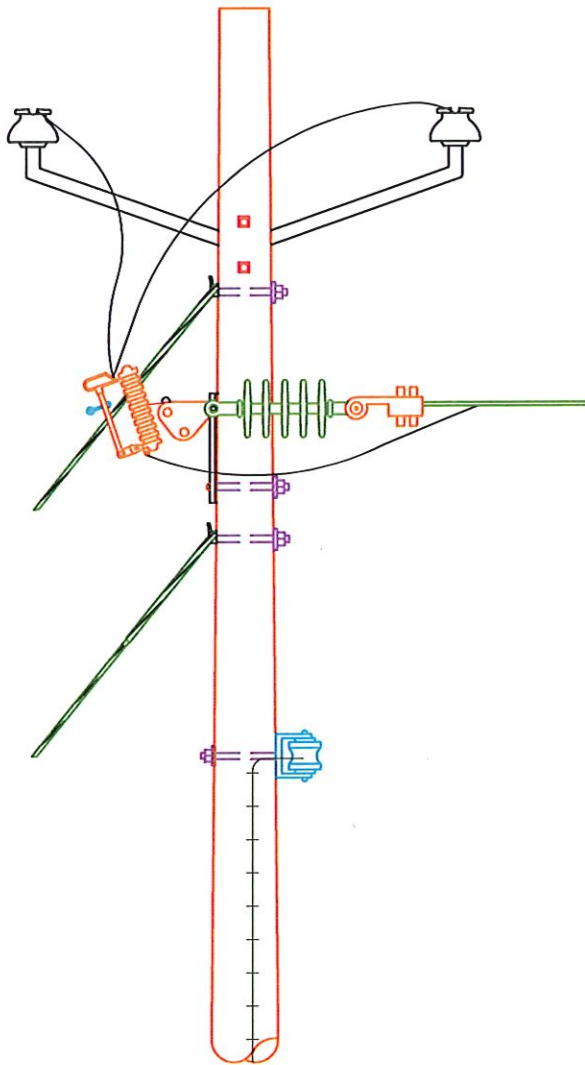


REVISIONS JULY, 2001  
JANUARY, 2007

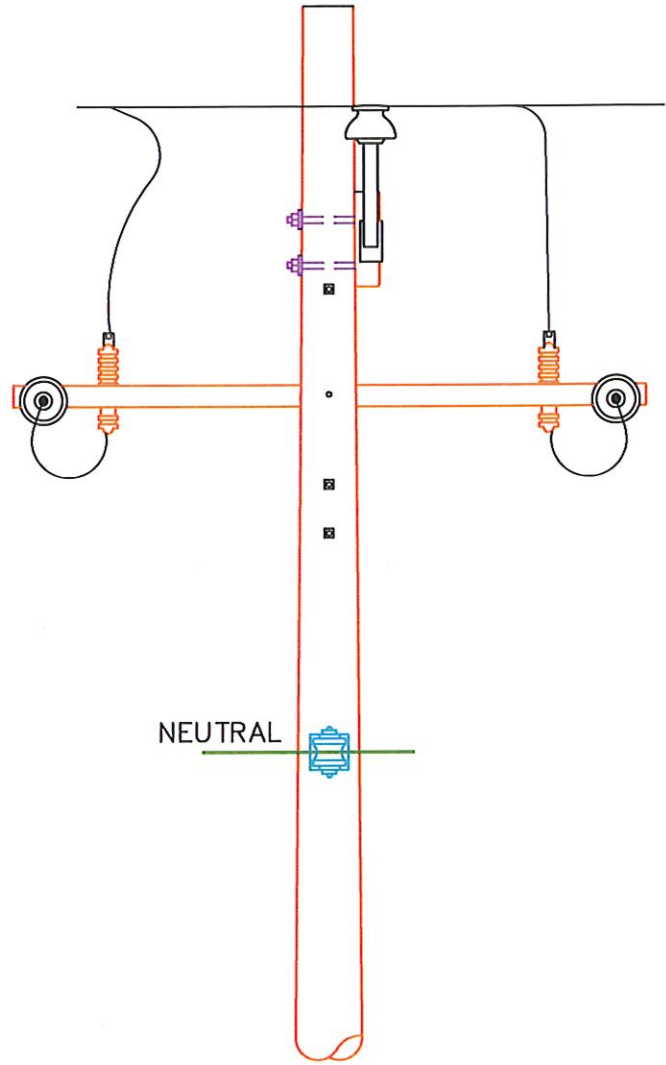
**M5-10**

DATE: OCTOBER, 1992





FRONT VIEW



SIDE VIEW

NOTES:

- 1.) MOUNT CUTOUTS ON PULLOFF ARM.
- 2.) PULLOFF ARM SHOULD BE 78" MINIMUM.
- 3.) TRANSFORMER AND U.D. TERMINATIONS SHOULD NOT BE INSTALLED ON THE POLES.

## SECTIONALIZING - TWO PHASE FUSE PRIMARY LINE PULL OFF

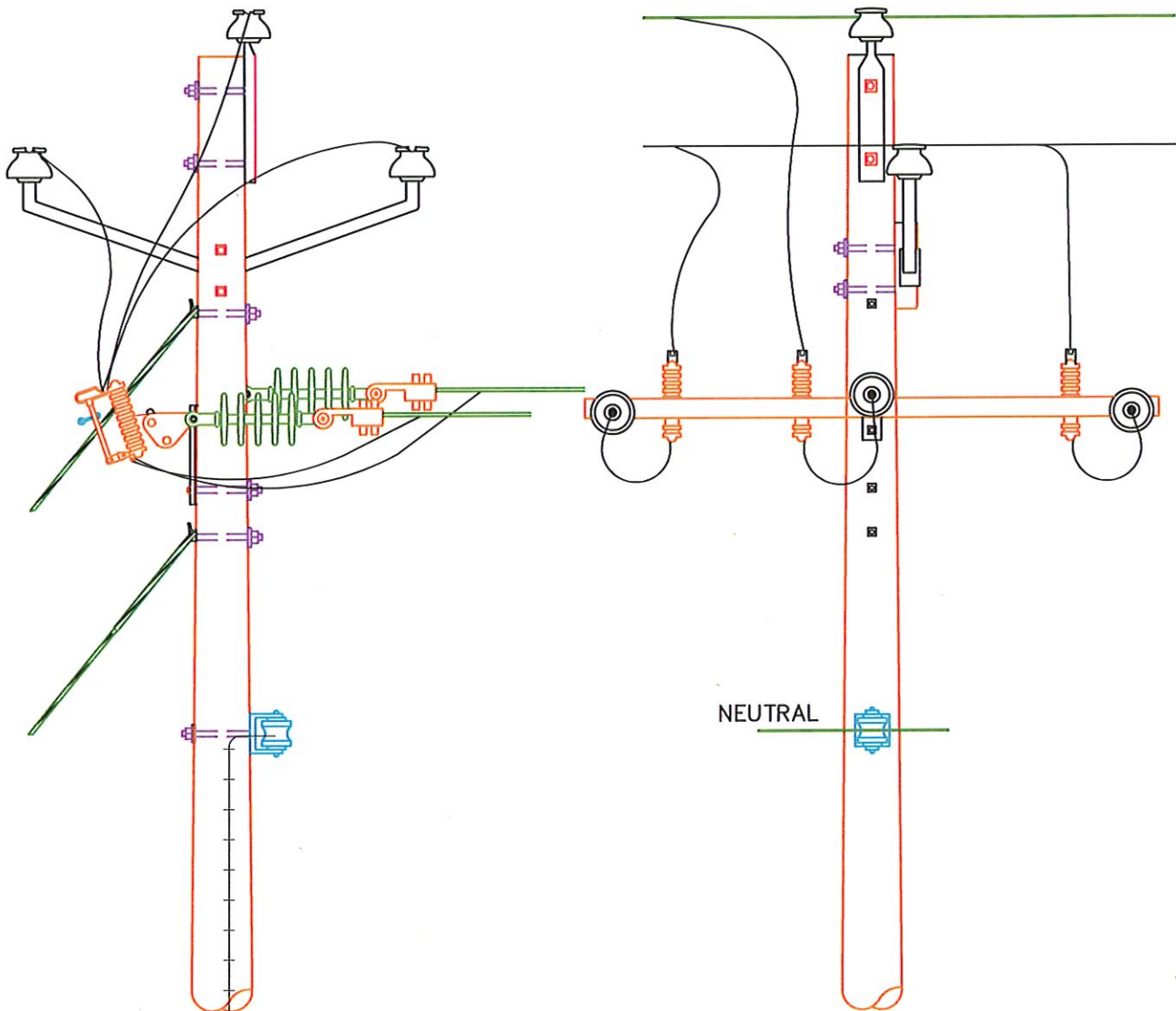


REVISIONS JULY, 2002 \_\_\_\_\_  
JANUARY, 2007 \_\_\_\_\_

**M5-10-2**

DATE: OCTOBER, 1992





FRONT VIEW

SIDE VIEW

NOTES:

- 1.) MOUNT CUTOUTS ON PULLOFF ARM.
- 2.) PULLOFF ARM SHOULD BE 78" MINIMUM.
- 3.) TRANSFORMER AND U.D. TERMINATIONS SHOULD NOT BE INSTALLED ON THE POLES.

**SECTIONALIZING - FUSED, THREE PHASE**  
**PRIMARY LINE PULL OFF**



REVISIONS JULY, 2001  
JANUARY, 2007

**M5-10-3**

DATE: OCTOBER, 1992